

*Made in USA, Midwest Sandright / Rand-Bright®* manufactures a variety of deburring and finishing machines offering superior results, easy operation, and dependable service at competitive prices.

Models include Patriot dry machines with one, two or three head configurations offering 4 to 24 hours of operation per day.

Also available are Nautilus wet deburring and finishing machines, Explorer custom deburring and finishing machines, Rand-Bright® cylindrical deburring and finishing machines, and Niagara wet dust collection systems.



Midwest Group One LLC  
2645 26th Avenue South  
Minneapolis, Minnesota 55406 USA  
tel. 612.721.5347  
www.midwestgroupone.com

## Niagara Wet Dust Collectors Made in USA

**MS** MIDWEST  
SANDRIGHT

American innovation at work.

midwest  
GROUP ONE

# Niagara Wet Dust Collectors



**Electronic Level Sensor**  
Electronic level sensor with automatic refill

**Made In USA**  
**5-Year Limited Warranty on Stainless Steel Shells**

*Niagara Wet Dust Collection Systems come in a variety of models that are intended for safe, efficient collection of various dusts produced from grinding and deburring operations, using a water filled tank as the filter pulling the contaminated air. Dust particles sink to the base of the tank and are easily raked into a disposal container.*

*Materials suitable for wet collection includes quick wetting and sinking dusts, materials of a combustible nature, applications where sparks may occur, or where mixing of material and various minerals occur, or in any application where particles are heavier than the specific weight of water.*

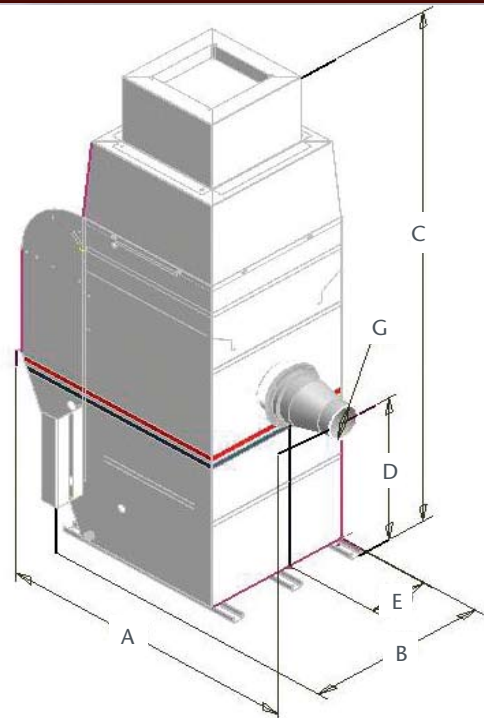
### Standard Features

- Welded steel main tank with ribbed construction
- Impeller motor is T.E.F.C. rated from 3-25 HP
- Steel baffles designed for continuous water spray to filter contaminated air
- Mist eliminator pack
- Steel door designed for explosion relief
- Lift-off door for quick access & easy cleaning
- Silencer to insure noise levels between 79 & 84 dba
- Electronic high/low water level sensor with automatic refill
- One inch brass water drain valve for cleaning
- Water level monitoring scale mounted in an easy to read location
- Stainless steel impeller is balanced to minimize vibration
- Brass fittings and stainless steel hardware to prevent rust
- Push button motor starter and overload wired with water tight connectors & conduit
- Main disconnect switch
- Stainless steel & galvanized shells available

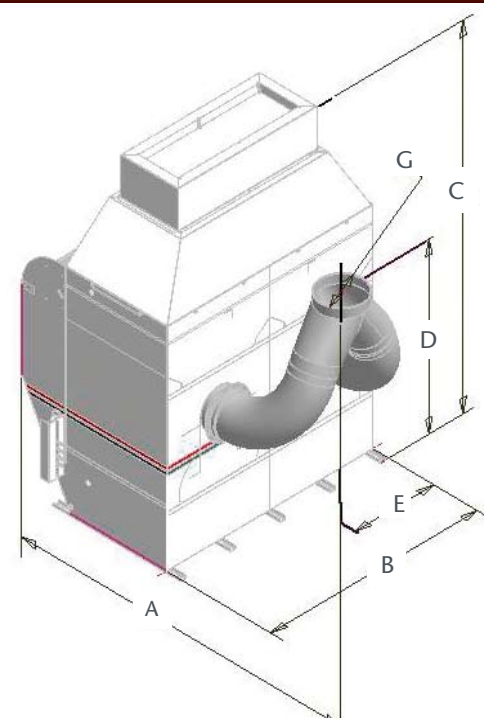
### Optional Equipment

- Custom pipe kit
- NFPA 484 Approved kit for combustible materials
- Sump vent blower kit for magnesium
- Explosive proof motor

### DC 1200/1800/2200/2800



### DC 3700/4700/5500



### Machine Configuration

Specifications	1200	1800	2200	2800	3700	4700	5500
<b>Nominal CFM</b>	1200	1800	2200	2800	3700	4700	5500
<b>Horsepower</b>	3 HP	5 HP	7.5 HP	10 HP	15 HP	20 HP	25 HP
<b>Dimensions</b>							
<b>A</b>	42" (*51")	42"	51" (*63")	51"	71.5"	71.5"	71.5"
<b>B</b>	31"	34"	51.5"	51.5"	73.5"	73.5"	73.5"
<b>C</b>	87"	87"	104"	104"	99"	99"	99"
<b>D</b>	35.5"	35.5"	38"	38"	73.5"	73.5"	73.5"
<b>E</b>	13"	13"	23"	23"	17"	17"	17"
<b>Inlet G</b>	6"	7"	8"	10"	12"	12"	14"

\*with Reducer