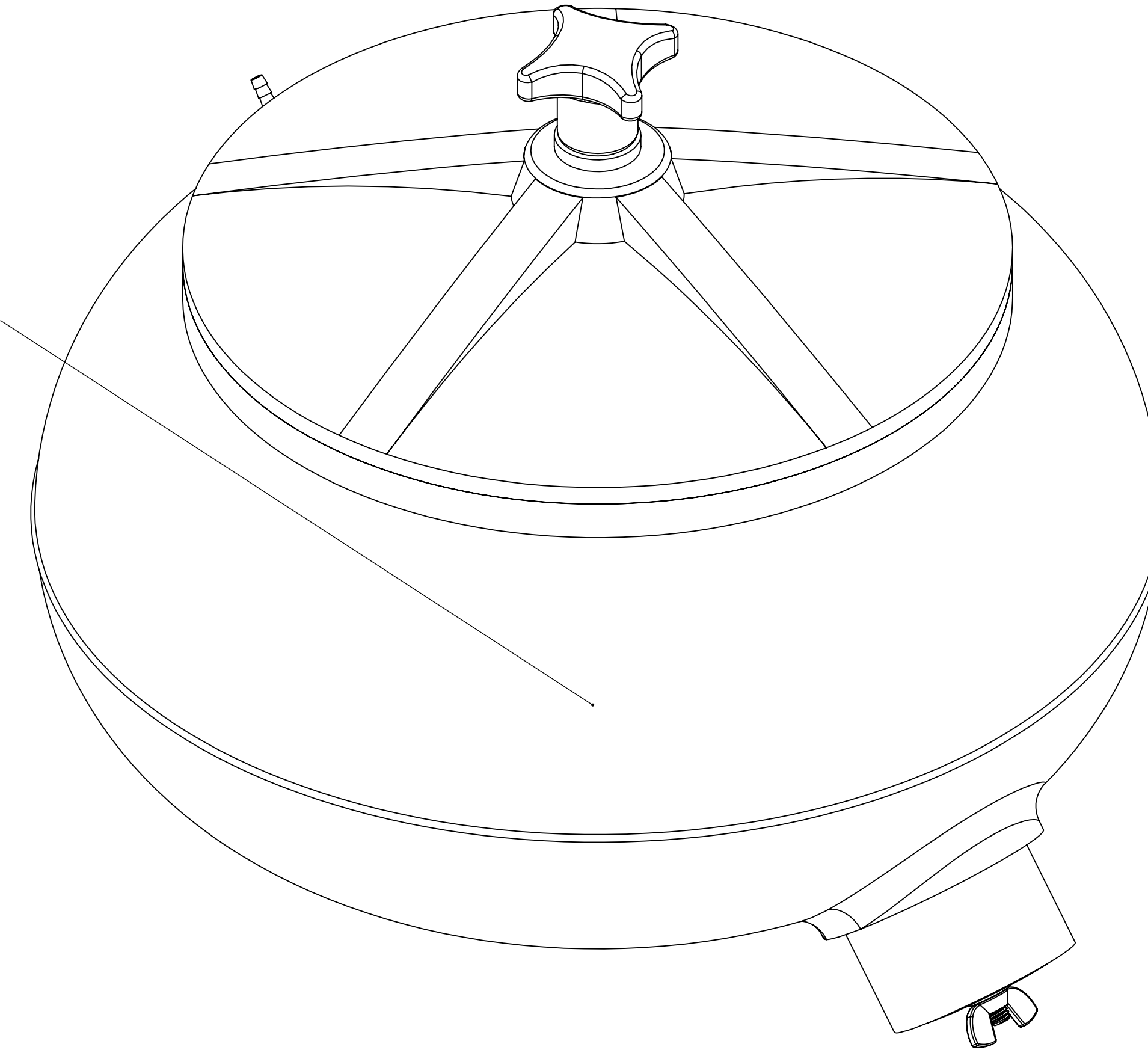


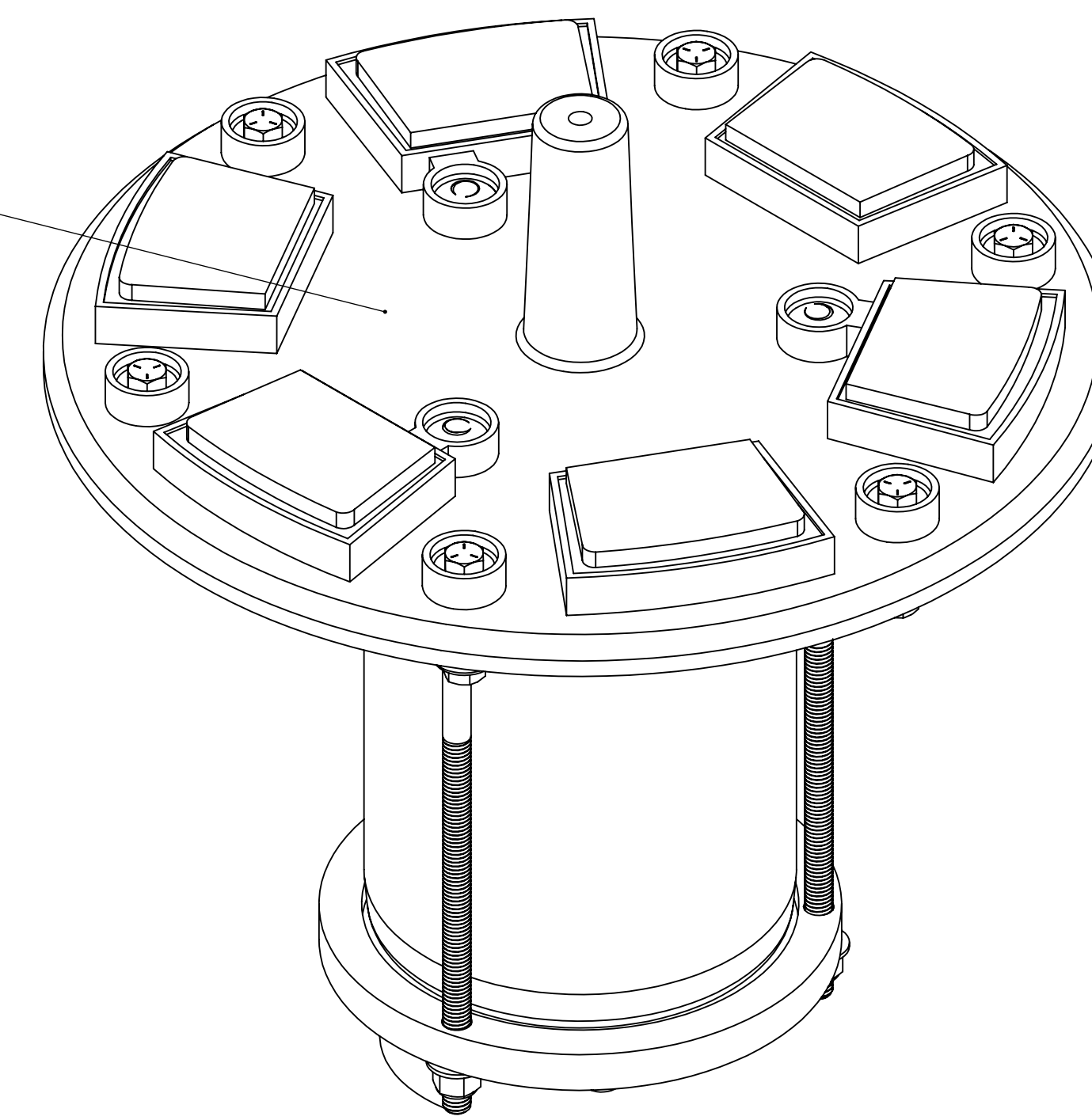
C & M TOPLINE
 5945 Daley Street
 Goleta CA 93117
 1 800 827-1333
 www.cmtoline.com

| | |
|-------------|--------------------------|
| PART NO. | TLV75D000 |
| DESCRIPTION | TLV-75 Vibratory Bowl |
| | 3/4 Cubic Foot |
| SCALE | SEE LIST |

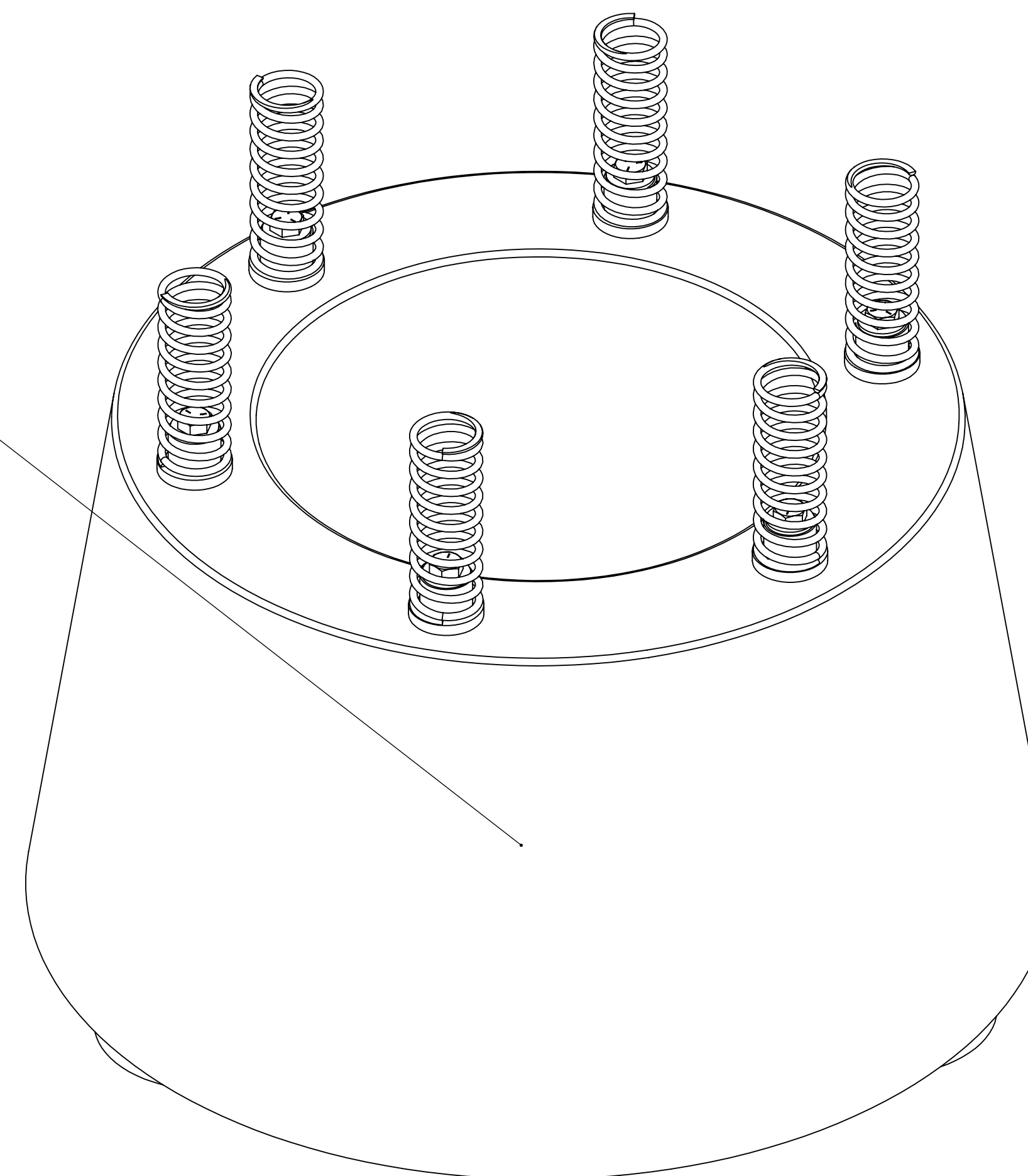
TLV 75 Bowl and Rod Assembly



TLV 75 Base Plate Assembly



TLV 75 Mount Assembly

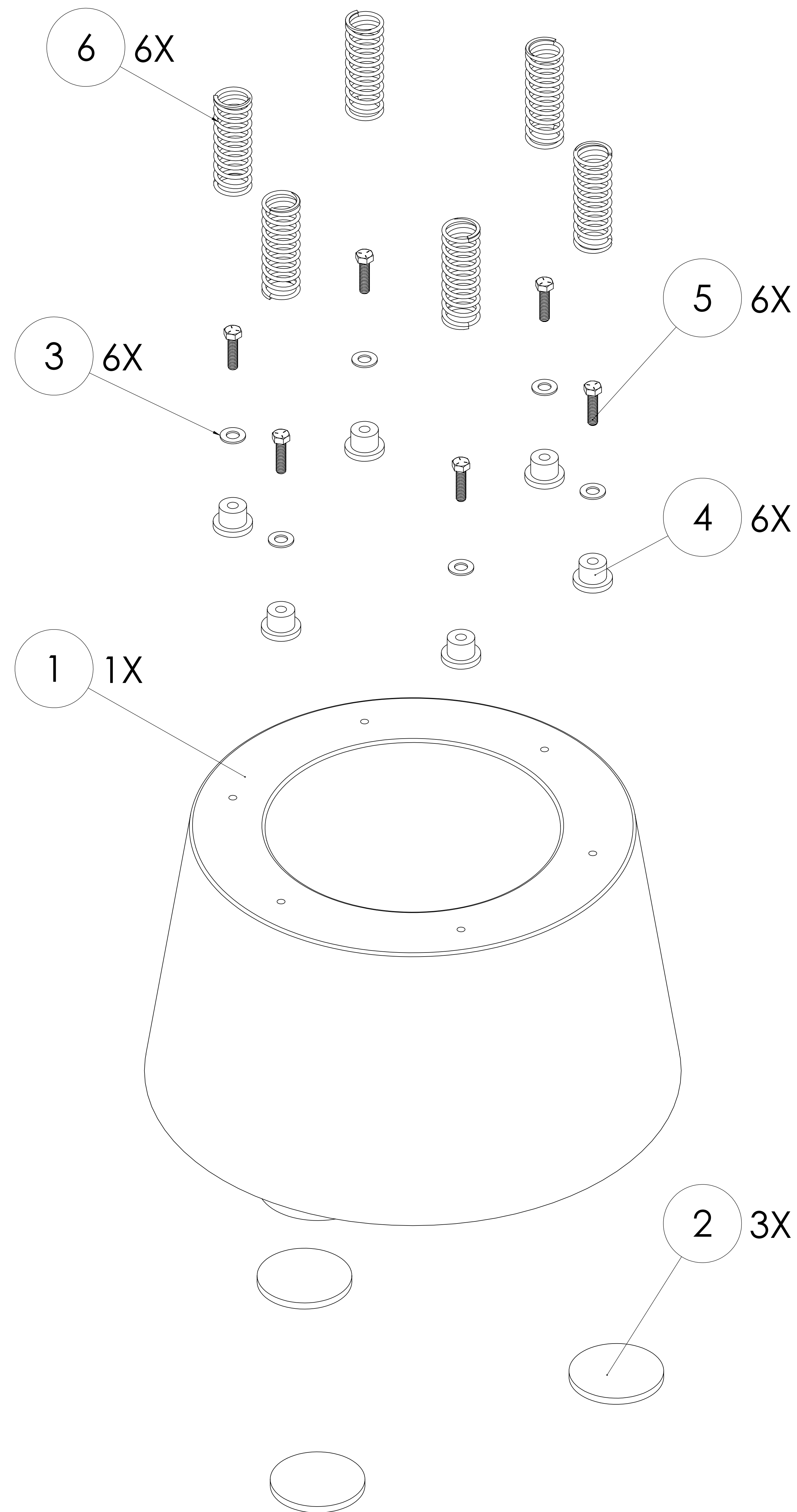


| ITEM NO. | DESCRIPTION | QTY. |
|----------|---------------------------------------|------|
| 1 | Base Plastic Mount | 1 |
| 2 | Plastic Base Cap | 3 |
| 3 | 0.81 Washer | 22 |
| 4 | Plastic Spring End | 12 |
| 5 | 5-16 18 1.25 Fully Threaded Screw | 6 |
| 6 | Spring | 6 |
| 7 | Base plate | 1 |
| 8 | Plastic Plate bumper | 6 |
| 9 | 5-16 18 0.5 Hex Nut | 6 |
| 10 | 5-16 18 1.75 Partially Threaded Screw | 6 |
| 11 | Motor Plate | 1 |
| 12 | 3-8 16 Nylon Insert Locknut | 3 |
| 13 | 3-8 16 11 Square Neck Bolt | 3 |
| 14 | Motor Weight A | 1 |
| 15 | Motor Weight B | 1 |
| 16 | 1.0 washer | 1 |
| 17 | 0.69 washer spring | 1 |
| 18 | 1-4 20 Set Screw | 1 |
| 19 | 5-16 18 Socket Head Screw | 1 |
| 20 | TLV 75 Motor | 1 |
| 21 | Base Cap Metal | 1 |
| 22 | 1-2 13 Thin Hex Nut | 1 |
| 23 | 1-2 13 Hex Nut | 2 |
| 24 | 1-2 Split Lock Washer | 2 |
| 25 | Four Arm Knob | 1 |
| 26 | Base Plate Plastic | 1 |
| 27 | Rod Thin Plastic | 1 |
| 28 | Rod | 1 |
| 29 | Bowl | 1 |
| 30 | Lid | 1 |
| 31 | 0.5 Drain Barb | 1 |
| 32 | 0.25 Drain Barb | 1 |
| 33 | exit valve for tub | 1 |
| 34 | 3-8 16 Wing Nut | 1 |
| 35 | TLV 75 Plug | 1 |
| 36 | Plug Metal Lid | 1 |

C & M TOPLINE
 5945 Daley Street
 Goleta CA 93117
 1 800 827-1333
 www.cmtoline.com

| | |
|-------------|--|
| PART NO. | TLV75D000 |
| DESCRIPTION | TLV-75 Vibratory Bowl 3/4 Cubic Foot |

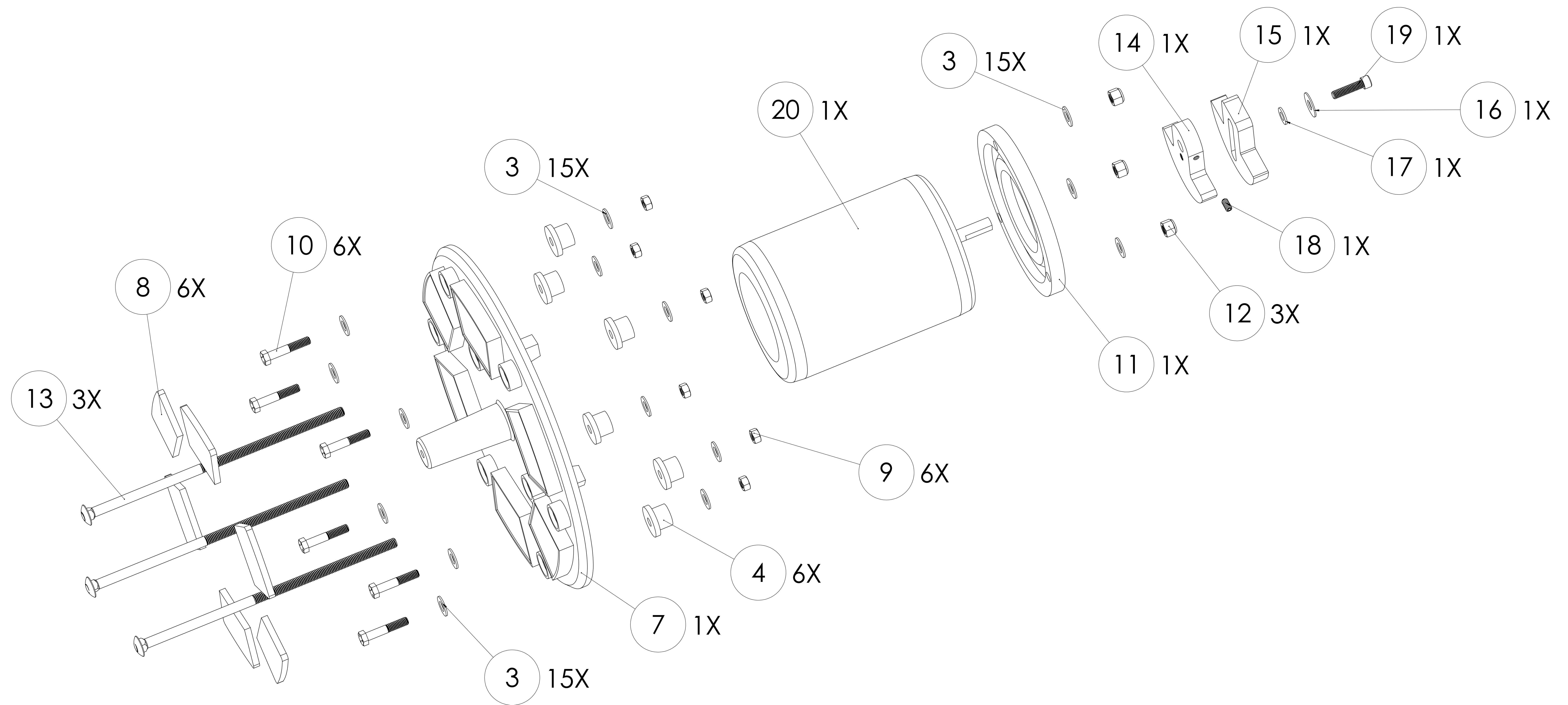
| ITEM NO. | DESCRIPTION | QTY. |
|----------|-----------------------------------|------|
| 1 | Base Plastic Mount | 1 |
| 2 | Plastic Base Cap | 3 |
| 3 | 0.81 Washer | 6 |
| 4 | Plastic Spring End | 6 |
| 5 | 5-16 18 1.25 Fully Threaded Screw | 6 |
| 6 | Spring | 6 |



C & M TOPLINE
 5945 Daley Street
 Goleta CA 93117
 1 800 827-1333
 www.cmtoline.com

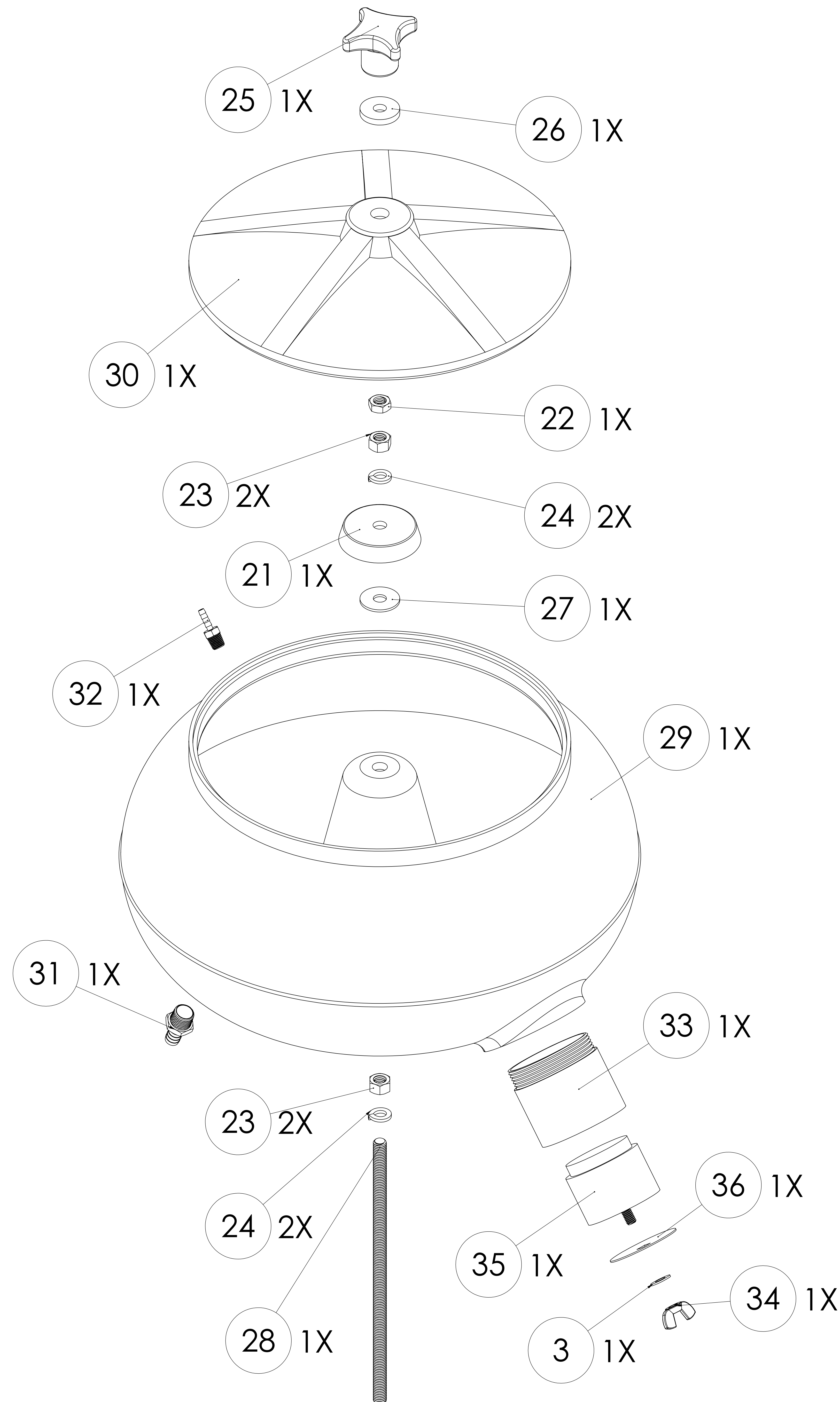
| | |
|-------------|--------------------------|
| PART NO. | TLV75D000 |
| DESCRIPTION | TLV-75 Mount Assembly |
| SCALE | DEF 100% |

| ITEM NO. | DESCRIPTION | QTY. |
|----------|---------------------------------------|------|
| 3 | 0.81 Washer | 15 |
| 4 | Plastic Spring End | 6 |
| 7 | Base Plate | 1 |
| 8 | Plastic Plate bumper | 6 |
| 9 | 5-16 18 0.5 Hex Nut | 6 |
| 10 | 5-16 18 1.75 Partially Threaded Screw | 6 |
| 11 | Motor Plate | 1 |
| 12 | 3-8 16 Nylon Insert Locknut | 3 |
| 13 | 3-8 16 11 Square Neck Bolt | 3 |
| 14 | Motor Weight A | 1 |
| 15 | Motor Weight B | 1 |
| 16 | 1.0 washer | 1 |
| 17 | 0.69 Washer | 1 |
| 18 | 1-4 20 Set Screw | 1 |
| 19 | 5-16 18 Socket Head Screw | 1 |
| 20 | TLV 75 Motor | 1 |



C & M TOPLINE
 5945 Daley Street
 Goleta CA 93117
 1 800 827-1333
 www.cmtoline.com

| | |
|-------------|----------------------------------|
| PART NO. | TLV75D000 |
| DESCRIPTION | TLV-75 Base Plate Assembly |
| SCALE | 1:1 |



| ITEM NO. | DESCRIPTION | QTY. |
|----------|-----------------------|------|
| 3 | 0.81 Washer | 1 |
| 21 | Base Cap Metal | 1 |
| 22 | 1-2 13 Thin Hex Nut | 1 |
| 23 | 1-2 13 Hex Nut | 2 |
| 24 | 1-2 Split Lock Washer | 2 |
| 25 | Four Arm Knob | 1 |
| 26 | Rubber Cap | 1 |
| 27 | Thin Rubber Cap | 1 |
| 28 | Rod | 1 |
| 29 | TLV 75 Bowl | 1 |
| 30 | TLV 75 Lid | 1 |
| 31 | 0.5 Drain Barb | 1 |
| 32 | 0.25 Drain Barb | 1 |
| 33 | TLV 75 Dump Chute | 1 |
| 34 | 3-8 16 Wing Nut | 1 |
| 35 | TLV 75 Plug | 1 |
| 36 | TLV 75 Plug Lid | 1 |

C & M TOPLINE
 5945 Daley Street
 Goleta CA 93117
 1 800 827-1333
 www.cmtoline.com

| | |
|-------------|------------------------------|
| PART NO. | TLV75D000 |
| DESCRIPTION | TLV-75 Bowl and Rod Assembly |
| SCALE | 1:1 |