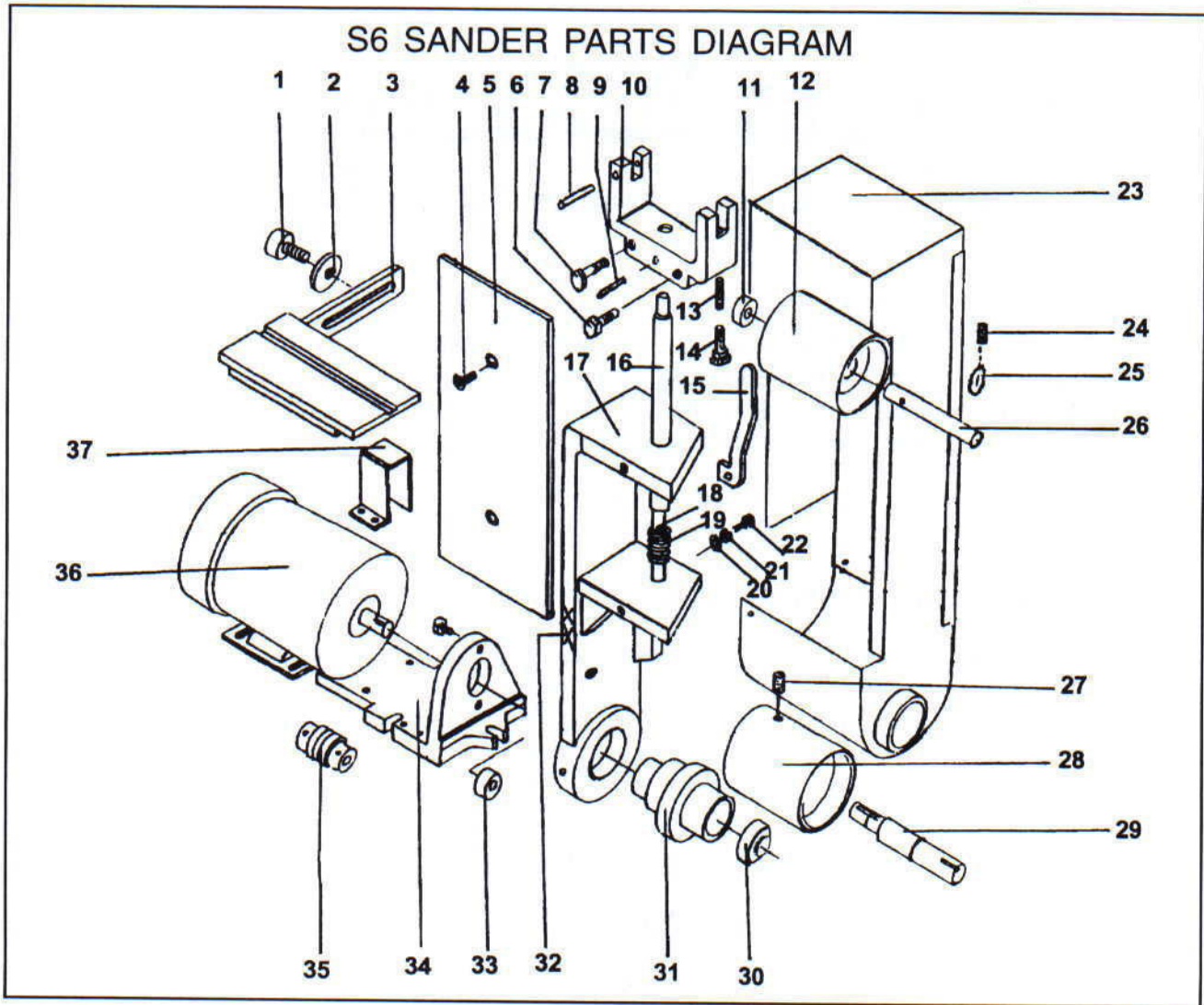


S6 SANDER PARTS DIAGRAM



NO.	PART NO.	DESCRIPTION	NO.	PART NO.	DESCRIPTION
1		1/2-13x1 S.H.C.S.	21		STOVER LOCK WASHER
2		1/2" WASHER	22		STOVER BOLT
3	829-012	WORK TABLE	23	342-069	OSHA GUARD
4		5/16-18x1 F.H.S.C.S.	24		SET SCREW
5	563-002	PLATEN	25	123-009	LOCKING COLLAR
6		1/4-20x2 CARRIAGE BOLT	26	(Sold only w/560-016ASSY)	IDLER SPINDLE
7		1/4-20x2 CARRIAGE BOLT	27		1/4-20x3/4 S.S.S.
8		3/16x2 ROLL PIN	28	560-015	DRIVE PULLEY
9		3/16x2 ROLL PIN	29	701-018	DRIVE SPINDLE
10	960-006	YOKE	30	044-001	K12 BEARING
11	044-001	K12 BEARING	31	386-013	BEARING HOUSING
12	560-016ASSY	Idler Pulley Assembly	32		SERIAL NUMBER
13	562-018	PIN	33	044-007	K10 BEARING
14	441-014	KNOB	34	050-020	BASE
15	455-003	TENSION LEVER		342-023	COUPLING GUARD
16	700-004	SHAFT	35	148-001	COUPLING ASSEMBLY
17	291-004	FRAME	36	486-006	35P35-5560 3HP, 1PH MOTOR
18		3/16x2 ROLL PIN	36	486-007	35P35-5561 3HP, 3PH MOTOR
19	697-024	TENSION SPRING		710-003	1PH REPLACEMENT SWITCH
20		STOVER WASHER		710-010	3PH REPLACEMENT SWITCH
				148-006	Coupling Assembly for 5HP Motor

KALAMAZOO INDUSTRIES, INC. 6856 East K Ave. Kalamazoo, MI 49048
616-382-2050 PH 616-382-0790 FAX www.kalamazooindustries.com