

PALMGREN®

**6 x 12"
BELT & DISC SANDER**

Read carefully and follow all safety rules and operating instructions before first use of this product.

DESCRIPTION

Palmgren 6" Belt and 12" Disc Sander with cabinet is constructed of rugged cast iron and heavy gauge steel providing stability and vibration-free operation. The 6 x 48" belt and 12" diameter disc are used to sand, deburr, bevel and grind large workpieces of wood, plastic and metal.

The 6 x 48" belt housing can be pivoted from vertical to horizontal for sanding large, straight workpieces. The belt assembly includes a tilting cast iron table that tilts out 45°, miter gauge and 4" dust collection chute.

The 12" diameter disc can be used to sand or bevel surfaces with the use of a cast iron table that tilts out 45° and in 20°, miter gauge slot and 4" dust collection chute.

The 3" diameter idler drum permits the sanding of contoured shapes and finishes by positioning the adjustable platen from a horizontal to vertical position.

The two collection chutes accept the standard 4" dust collection hose for quick removal of dust. The adjustable miter gauge can be used on both the belt and disc tables for guiding the workpiece at a desired angle while sanding.

UNPACKING

Refer to Figure 1.

Check for shipping damage. If damage has occurred, a claim must be filed with carrier. Check for completeness. Immediately report missing parts to dealer.

The sander comes assembled as one unit. Additional parts which need to be fastened to sander, should be located and accounted for before assembling.

- A Abrasive disc
- B Belt table with trunnion
- C Miter gauge assembly
- D Workstop
- E Two handles
- F Intake port cap

Parts bag includes: one 8mm flat washer, four foot rest assemblies, 6mm hex wrench and 4mm long hex wrench.

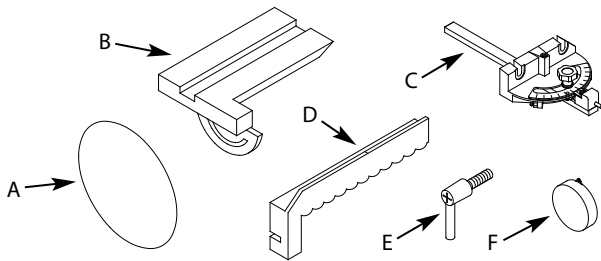


Figure 1 – Unpacking Sander

SPECIFICATIONS

Belt size	.6 x 48"
Belt platen area	.61/4 x 163/4"
Belt table dimensions	.6 x 101/8"
Belt table tilts	-.20° to 45°
Belt dust chute diameter	.4"
Belt speed	.1830 SFPM
Disc diameter	.12"
Disc table dimensions	.7 x 16"
Disc table tilts	.0 to 45° outward
	.0 to 20° inward

Disc dust chute diameter	.4"
Disc speed	.2350 RPM
Base dimensions	.23 x 21 x 58"
Switch	.120 Volts, SP
Motor	.11/2 HP, 3450 RPM, 120/240V, 14/7 Amps, 60 Hz
Weight	.191 lbs
Shipping weight	.220 lbs

SAFETY RULES

WARNING: For your own safety, read all of the instructions and precautions before operating tool.

CAUTION: Always follow proper operating procedures as defined in this manual even if you are familiar with use of this or similar tools. Remember that being careless for even a fraction of a second can result in severe personal injury.

WARNING: Some dust created by power sanding, sawing, grinding, drilling and other construction activities contains chemicals known to the state of California to cause cancer, birth defects or other reproductive harm.

Some examples of these chemicals are:

- Lead from lead-based paints.
- Crystalline silica from bricks and cement and other masonry products.
- Arsenic and chromium from chemically-treated lumber.

Your risk from these exposures vary, depending on how often you do this type of work. To reduce your exposure to these chemicals: work in a well ventilated area and work with approved safety equipment. Always wear **OSHA/NIOSH** approved, properly fitting face mask or respirator when using such tools.

BE PREPARED FOR JOB

- Wear proper apparel. Do not wear loose clothing, gloves, neckties, rings, bracelets or other jewelry which may get caught in moving parts of machine.
- Wear protective hair covering to contain long hair.
- Wear safety shoes with non-slip soles.
- Wear safety glasses complying with United States ANSI Z87.1. Everyday glasses have only impact resistant lenses. They are **NOT** safety glasses.
- Wear face mask or dust mask if operation is dusty.
- Be alert and think clearly. Never operate power tools when tired, intoxicated or when taking medications that cause drowsiness.

PREPARE WORK AREA FOR JOB

- Keep work area clean. Cluttered work areas and work benches invite accidents.
- Do not use power tools in dangerous environments. Do not use power tools in damp or wet locations. Do not expose power tools to rain.
- Work area should be properly lighted.
- Proper electrical receptacle should be available for tool. Three-prong plug should be plugged directly into properly grounded, three-prong receptacle.
- Extension cords should have a grounding prong and the three wires of the extension cord should be of the correct gauge.
- Keep visitors at a safe distance from work area.
- Keep children out of the workplace. Make workshop childproof. Use padlocks, master switches or remove switch keys to prevent any unauthorized use of power tools.

SAFETY RULES (CONTINUED)**TOOL SHOULD BE MAINTAINED**

- Always unplug tool prior to inspection.
- Consult manual for specific maintaining and adjusting procedures.
- Keep tool lubricated and clean for safest operation.
- Remove adjusting tools. Form habit of checking to see that adjusting tools are removed before switching machine on.
- Keep all parts in working order. Check to determine that the guard or other parts will operate properly and perform their intended function.
- Check for damaged parts. Check for alignment of moving parts, binding, breakage, mounting and any other condition that may affect a tool's operation.
- A guard or other part that is damaged should be properly repaired or replaced. Do not perform makeshift repairs. (Use the parts list to order replacement parts.)

KNOW HOW TO USE TOOL

- Use right tool for job. Do not force tool or attachment to do a job for which it was not designed.
- Disconnect tool from power when changing abrasive belt or disc.
- Avoid accidental start-up. Make sure that the switch is in the OFF position before plugging in.
- Do not force tool. It will work most efficiently at the rate for which it was designed.
- Keep hands away from moving parts and sanding surfaces.
- Never leave tool running unattended. Turn the power off and do not leave tool until it comes to a complete stop.
- Do not overreach. Keep proper footing and balance.
- Never stand on tool. Serious injury could occur if tool is tipped or if belt or disc are unintentionally contacted.
- Know your tool. Learn the tool's operation, application and specific limitations.
- Handle workpiece correctly. Protect hands from possible injury.
- Turn machine off if it jams. Belt jams when it digs to deeply into workpiece. (Motor force keeps it stuck in the work).
- Support workpiece with miter gauge, belt platen or work table.
- Maintain 1/16" maximum clearance between table and sanding belt or disc.

CAUTION: Think safety! Safety is a combination of operator common sense and alertness at all times when tool is being used.

ASSEMBLY

CAUTION: Do not attempt assembly if parts are missing. Use this manual to order replacement parts.

Before sander is assembled, a suitable location should be chosen. The sander with cabinet weighs approximately 200 lbs when completely assembled. They should be assembled on location.

- Sander needs to be set on a flat, level surface.
- Make sure there is ample room for moving the workpiece through the entire cut. There must be enough room that neither the operator nor the bystanders will have to stand in line while using the tool.
- Good lighting and correct power supply are also required for a proper work area.

ADJUST BELT HOUSING TO VERTICAL POSITION

Refer to Figures 11 and 12, pages 10 and 12.

- Move to the front of the sander; loosen and remove four knobs (Figure 12, Ref. Nos. 18 and 21).
- Remove dust hoods (Figure 12, Ref. Nos. 19 and 20).
- Loosen both hex nuts (Figure 11, Ref. No. 8) on the belt housing casting (Figure 11, Ref. No. 34). Do not take out hex nut.
- Move to the rear of the sander and gently lift the belt housing up supporting the housing from both sides.
- Lift belt housing until it is adjusted to the vertical position.
- Tighten both hex nuts (Figure 11, Ref. No. 8) from the rear of the sander.
- Replace dust hood and tighten knobs.

ATTACH FOOT RESTS

Refer to Figure 12.

Required parts and hardware:

- Four foot rest assemblies

CAUTION: Sander with cabinet weighs approximately 200 lbs. At least two people are required to attach foot rests.

- Carefully tip the sander to raise cabinet from the floor just enough so that one foot rest with bolt can be positioned under the cabinet corner so that the bolt slides through the hole on the cabinet base. Slowly set the sander back to the floor. Repeat three more times to position one foot rest with bolt under each of the cabinet corner.
- Loosen knob (Ref. No. 52) and open cabinet door (Ref. No. 53).
- Using the cabinet door opening, secure foot rests to cabinet using four flat washers and four hex nuts.
- Make sure all the hex nuts are tight.
- Close cabinet door and secure it with knob.

ATTACH BELT TABLE

Refer to Figures 2 and 11.

Required parts and hardware:

- Belt table with trunnion
- Handle
- 8mm Flat washer
- Position belt table (Ref. No. 54) on the belt housing (Ref. No. 34) so that the trunnion (Ref. No. 55) travels on the slide (Ref. No. 29).
- Set the belt table position so that the 0° mark on the trunnion is aligned with the pointer (Ref. No. 26).
- Secure belt table position using the handle and flat washer. Tighten handle into the threaded hole on the belt housing.

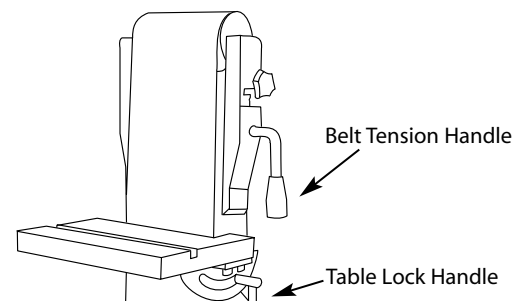


Figure 2 – Attach Belt Table

- Sander is shipped with the belt tension handle (Ref. No. 31) at the released position. Pull down the handle toward the belt table to tension the belt.

ASSEMBLY (CONTINUED)

- Make sure that the clearance between the belt and belt table does not exceed $\frac{1}{16}$ ".
- Wear protective glove and manually push the belt to verify that belt travels smoothly and without interference.

POSITION DISC TABLE

Refer to Figure 11.

Required part: Handle

- Sander is shipped with the disc table (Ref. No. 69) attached to the disc guard (Ref. No. 61) using a handle with flat washer one side and a hex head bolt with flat washer on the other side.
- Loosen and remove hex head bolt and flat washer from the disc table.
- Replace hex head bolt with the handle provided. Secure disc table to disc guard using the handle and flat washer.

ATTACH ABRASIVE DISC TO ALUMINUM DISC

Refer to Figures 3, 4 and 11.

- Sander is shipped with the abrasive (Ref. No. 67) not applied to the aluminum disc (Ref. No. 66).
- Clean the aluminum disc if necessary prior to applying the abrasive.
- Remove the adhesive cover from the back of the abrasive disc.
- Slide the abrasive between the disc table and aluminum disc and center abrasive on the aluminum disc.
- Apply pressure on abrasive to paste.
- Make sure abrasive is pasted evenly on the aluminum disc.

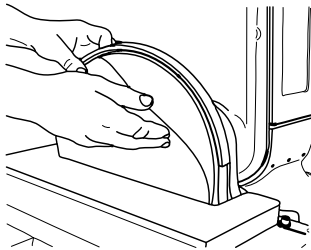


Figure 3 – Attach Abrasive Disc

- Make sure that the clearance between disc table and abrasive disc does not exceed $\frac{1}{16}$ ".

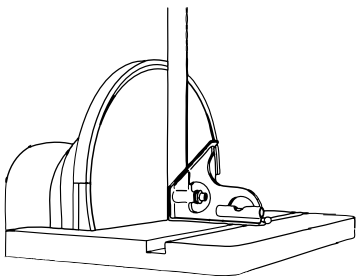


Figure 4 - Check Disc Table

- Use a straight edge or square to check if the disc table is at right angle to the disc.
- Wear a protective glove and manually turn the disc to verify that the disc turns freely and without interference.

ATTACH MITER GAUGE

Refer to Figures 11 and 12.

Required part: Miter gauge assembly

- Miter gauge is shipped completely assembled (Fig. 12, Ref. No. 1) and can be used with the belt or disc tables (Fig. 11, Ref. Nos. 54 and 69).

- Slide miter gauge bar (Fig. 12, Ref. No. 15) into the slot on belt or disc table.

INSTALLATION

Refer to Figures 5, 6 and 7.

WARNING: All electrical connections must be performed by a qualified electrician.

POWER SOURCE

The motor is designed for operation on the voltage and frequency specified. Normal loads will be handled safely on voltages not more than 10% above or below the specified voltage.

Running the unit on voltages which are not within the range may cause overheating and motor burnout. Heavy loads require that voltage at motor terminals be no less than the voltage specified on nameplate. Power supply to the motor is controlled by a single pole locking rocker switch. Remove the key to prevent unauthorized use.

GROUNDING INSTRUCTIONS

WARNING: Improper connection of equipment grounding conductor can result in the risk of electrical shock. Equipment should be grounded while in use to protect operator from electrical shock.

- Check with a qualified electrician if grounding instructions are not understood or if in doubt as to whether the tool is properly grounded.
- This tool is equipped with an approved 3-conductor cord rated at 300V and a 3-prong grounding type plug (See Figure 5) for your protection against shock hazards.
- Grounding plug should be plugged directly into a properly installed and grounded 3-prong grounding-type receptacle, as shown (Figure 5).

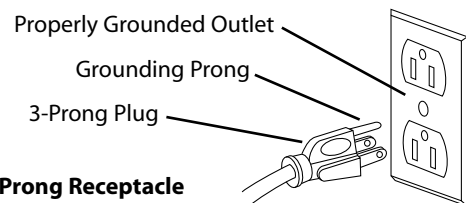


Figure 5 – 3-Prong Receptacle

- Do not remove or alter grounding prong in any manner. In the event of a malfunction or breakdown, grounding provides a path of least resistance for electrical shock.

WARNING: Do not permit fingers to touch the terminals of plug when installing or removing from outlet.

- Plug must be plugged into matching outlet that is properly installed and grounded in accordance with all local codes and ordinances. Do not modify plug provided. If it will not fit in outlet, have proper outlet installed by a qualified electrician.
- Inspect tool cords periodically, and if damaged, have repaired by an authorized service facility.
- Green (or green and yellow) conductor in cord is the grounding wire. If repair or replacement of the electric cord or plug is necessary, do not connect the green (or green and yellow) wire to a live terminal.
- Where a 2-prong wall receptacle is encountered, it must be replaced with a properly grounded 3-prong receptacle installed in accordance with National Electric Code and local codes and ordinances.

WARNING: This work should be performed by a qualified electrician.

INSTALLATION (CONTINUED)

- A temporary 3-prong to 2-prong grounding adapter (See Figure 6) is available for connecting plugs to a two pole outlet if it is properly grounded.

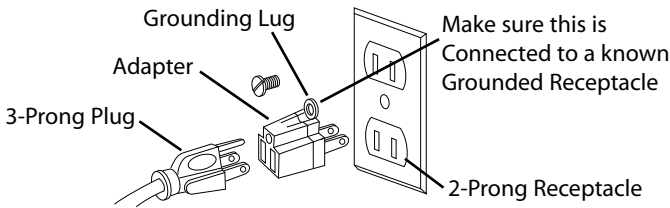


Figure 6 – 2-Prong Receptacle with Adapter

- Do not use a 3-prong to 2-prong grounding adapter unless permitted by local and national codes and ordinances. (A 3-prong to 2-prong grounding adapter is not permitted in Canada.) Where permitted, the rigid green tab or terminal on the side of the adapter must be securely connected to a permanent electrical ground such as a properly grounded water pipe, a properly grounded outlet box or a properly grounded wire system.
- Many cover plate screws, water pipes and outlet boxes are not properly grounded. To ensure proper ground, grounding means must be tested by a qualified electrician.

EXTENSION CORDS

- The use of any extension cord will cause some drop in voltage and loss of power.
- Wires of the extension cord must be of sufficient size to carry the current and maintain adequate voltage.
- Running the unit on voltages which are not within ±10% of the specified voltage may cause overheating and motor burn-out.
- Use the table to determine the minimum wire size (A.W.G.) extension cord.
- Use only 3-wire extension cords having 3-prong grounding type plugs and 3-pole receptacles which accept the tool plug.
- If the extension cord is worn, cut or damaged in any way, replace it immediately.

EXTENSION CORD LENGTH (120 VOLTS)

Wire Size	A.W.G.
Up to 25 ft.....	14
25-50 ft.	12

NOTE: Using extension cords over 50 ft. long is not recommended.

EXTENSION CORD LENGTH (240 VOLTS)

Wire Size	A.W.G.
Up to 50 ft.....	18
50-100 ft.	16
100-200 ft.	14
200-300 ft.	12

NOTE: Using extension cords over 300 ft. long is not recommended.

ELECTRICAL CONNECTIONS

WARNING: All electrical connections must be performed by a qualified electrician. Make sure tool is off and disconnected from power source while motor is mounted, connected, reconnected or anytime wiring is inspected.

- Motor and wires are installed as shown in wiring diagram (See Figure 7). Motor is assembled with approved, 3-conductor cord to be used at 120/240 volts. Motor is prewired at the factory for 120 volts.

Sander has a push button switch for safe and easy operation

- To use the sander with a 240V power supply, have a qualified electrician rewire motor and attach a 240 volt three-prong plug onto sander line cord.

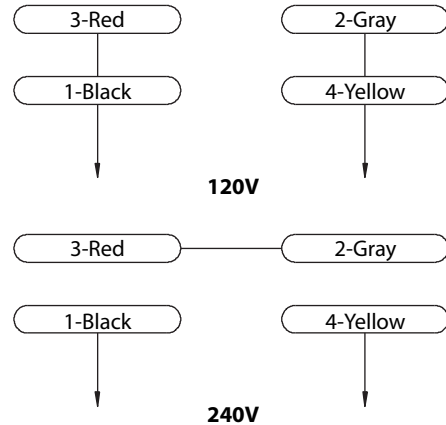


Figure 7 – Wiring Schematic

Push button switch has a solenoid to prevent re-starting after a power supply interruption. To start machine after a power supply interruption, push the OFF switch first, then push the ON switch.

OPERATION

Refer to Figure 8 and 11.

WARNING: Operation of any power tool can result in foreign objects being thrown into eyes which can result in severe eye damage. Always wear safety goggles complying with United States ANSI Z87.1 (shown on package) before commencing power tool operation.

CAUTION: Always observe the following safety precautions:

- Whenever adjusting or replacing any parts on the tool, turn switch OFF and remove the plug from power source.
- Recheck table handles. They must be tightened securely.
- Make sure all guards are properly attached and securely fastened.
- Make sure all moving parts are free and clear of any interference.
- Make sure all fasteners are tight and have not vibrated loose.
- With power disconnected, test operation by hand to verify clearance and adjust if necessary.
- Always wear eye protection or face shield.
- Make sure abrasive belt tracks properly. Correct tracking gives optimum performance.
- After turning switch ON, always allow belt to come up to full speed before sanding or grinding.
- Be sure motor runs clockwise on disc side. Abrasive belt must travel down.
- Keep your hands clear of abrasive belt, disc and all moving parts.
- For optimum performance, do not stall motor or reduce speed. Do not force the work into the abrasive.
- Support workpiece with belt table when sanding with belt, with disc table when sanding with disc.
- Never push a sharp corner of workpiece rapidly against belt or disc. Abrasive backing may tear.
- Replace abrasives when they become loaded (glazed) or frayed.
- When grinding metal, move workpiece across abrasive to prevent heat build-up.
- Never attempt wet sanding. If workpiece becomes too hot to handle, cool it in water.

OPERATION (CONTINUED)**POSITION BELT TABLE**

Refer to Figures 8 and 11.

The belt table (Ref. No. 54) can be tilted from 0° (at right angle to the table) to 45°. To adjust belt table position:

- Unlock the handle (Ref. No. 58) on the right side of table.

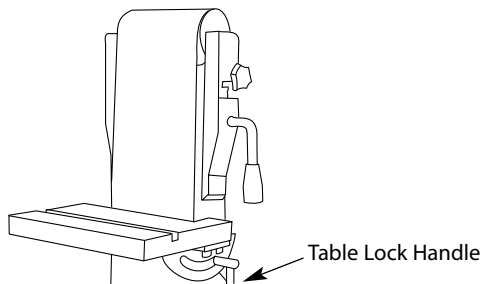


Figure 8 - Attach Belt Table

- Set the belt table to any angle between 0° and 45° using the scale.
- Lock the handle to secure belt table position.

WORK STOP

Refer to Figure 11.

The work stop (Ref. No. 23) can be used instead of the belt table.

- Remove belt table from the belt housing (Ref. No. 34) by loosening and removing handle (Ref. No. 58).
- Mount workstop using bolt (Ref. No. 22) and washer (Ref. No. 21) which are located on belt housing.

ADJUSTING BELT HOUSING

Refer to Figures 9, 11 and 12.

The belt housing (Figure 11, Ref. No. 34) can be positioned at a full vertical position, a full horizontal position, or at any angle in between which is convenient for the sanding operation.

To adjust belt housing position:

- Loosen and remove four knobs (Figure 12, Ref. Nos. 18 and 21).
- Remove dust hoods (Figure 12, Ref. Nos. 19 and 20).
- Loosen hex nuts (Figure 11, Ref. No. 8).
- Move to the rear of the sander.
- Gently push belt housing to move to the desired angle.
- A positive stop bolt (Figure 12, Ref. No. 26) is provided to stop the belt housing at the full horizontal position.
- Tighten both hex nuts (Figure 11, Ref. No. 8) to secure belt housing position.
- Replace dust hoods using the knobs.

HORIZONTAL BELT SANDING

Refer to Figures 9 and 11.

- Adjust the belt housing to full horizontal position as described in the above section, "Adjusting Belt Housing".
- Remove the belt table by removing handle (Ref. No. 58).
- Install work stop as described in "Work Stop".

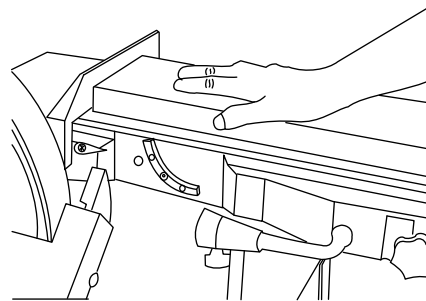


Figure 9 - Horizontal Belt Sanding

- Idler drum (Ref. No. 44) can be used as a contact drum to sand curved surfaces. (Removing belt guard [Ref. No. 50] will be required.)

ABRASIVE BELT FINISHING

- Finishing flat surfaces: Hold workpiece firmly with both hands; keep fingers away from abrasive belt.
- Use work stop. Work stop is used to position and secure work being sanded. Keep end butted against work stop and move work evenly across abrasive belt. Use extra caution when finishing very thin pieces.
- Finishing long pieces: remove work stop. Apply only enough pressure to allow abrasive belt to remove material.
- Finishing curved edges: Finish outside curves on flat portion of abrasive belt. Finish inside curves on idler drum portion of abrasive belt.
- Finishing end grain: It is more convenient to finish ends of long workpieces with the abrasive belt in a vertical position.
- Move work evenly across the belt.
- For accuracy use miter gauge.
- Adjust belt table angle for beveled work.

USING MITER GAUGE

Refer to Figure 12.

- The miter gauge is used on either the disc or belt table. Use the miter gauge for securing the work and holding the proper angle while sanding.
- Adjust angle by repositioning the miter gauge (Ref. No. 5). Loosen the knob (Ref. No. 2) to reposition miter gauge.
- Tighten the knob to secure miter gauge position.
- Miter gauge assembly has a positive stop set-up for 90° and 45° on either side.
- To use the positive stop, loosen the knob, retract the indexing pin (Ref. No. 16), turn the miter gauge slightly, slide in indexing pin and turn the miter gauge until the edge of the screw (Ref. No. 12) is stopped by the indexing pin.
- Check accuracy of miter gauge scale (Ref. No. 9).
- Use a combination square to adjust miter gauge square to disc. Scale should be at zero. Loosen screw (Ref. No. 7) and reposition scale if necessary.

OPERATION (CONTINUED)

BELT TRACKING

Refer to Figures 10 and 11.

Belt (Ref. No. 1) should ride centered on drive and idler drums (Ref. Nos. 11 and 44). The sander is shipped with the tracking mechanism properly adjusted. However, if adjustment is necessary:

- Loosen knob (Ref. No. 33) on either side of belt housing (Ref. No. 34).
- Turn the unit on.
- Insert a $\frac{1}{8}$ " or $\frac{5}{32}$ " hex wrench into the hole on adjusting nut (Ref. No. 42 or 47) on either side.

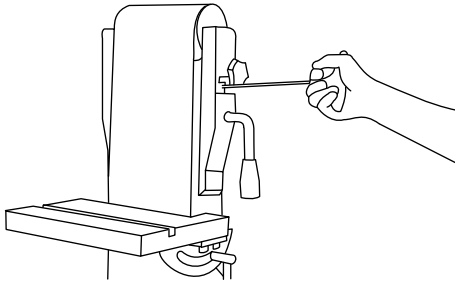


Figure 10 - Belt Tracking

- Turn the adjusting nut to the right to move belt toward you or turn the adjusting nut to the left to move belt away from you.
- Make sure belt rides on the center of drive and idler drums.
- Turn the unit off.
- Tighten knobs on both sides of belt housing to secure tracking adjustment.

REPLACING BELT

Refer to Figures 10 and 11.

- Sanding belt must be replaced when worn, torn, or glazed.
- Push up the belt tension handle (Ref. No. 31) to release belt tension.
- Loosen knob (Ref. No. 46) securing belt guard (Ref. No. 50).
- Loosen and remove four knobs (Ref. No. 49) from the rear of the sander.
- Remove belt cover (Ref. No. 48).
- Remove knob and bracket (Ref. Nos. 2 and 3).
- Slide old belt off the drive and idler drums (Ref. Nos. 11 and 44).

NOTE: There may be an arrow on the inside of the belt. The arrow should point down toward the belt table to ensure that the splice in the belt will not come apart.

- Slide new belt over the drive and idler drums; center belt on drums.
- Push the belt tension handle toward the drive drum to tension belt.
- Replace belt cover using knobs.
- Replace belt guard and bracket.
- Wear a protective glove and manually rotate the belt by hand to check tracking. If tracking needs to be adjusted, follow steps described in "Belt Tracking".
- Make sure belt rides centered on drive and idler drums.

POSITION DISC TABLE

Refer to Figure 11.

- Disc table (Ref. No. 69) is adjustable from 0° to 45° outward and 0° to 20° inward.

- To adjust the disc table position, loosen the two handles (Ref. No. 58) from either side of the disc table.
- Use the scale on disc table trunnions to set table at the desired angle.
- Secure disc table position by tightening the two handles.

ABRASIVE DISC FINISHING

- Abrasive disc sanding is well suited for finishing small flat surfaces and convex edges.
- Move workpiece across down side (left) of abrasive disc.
- Abrasive disc moves fastest and removes more material at outer edge.
- For accuracy, use miter gauge.

REPLACING ABRASIVE DISC

Refer to Figures 11 and 12.

- Loosen and remove four bolts (Figure 11, Ref. No. 24) from disc cover plate (Figure 11, Ref. No. 68).
- Loosen two top bolts (Figure 12, Ref. No. 25) from dust collection port (Figure 12, Ref. No. 32).
- Remove disc cover plate.
- Remove old abrasive by peeling it from the aluminum disc. Removing aluminum disc is not necessary.
- Clean aluminum disc if necessary. Select the proper abrasive disc and apply to aluminum disc.
- Additional abrasive discs are available.
- Replace disc cover plate.
- Tighten bolts on dust collection port.
- Replace four bolts to secure disc cover plate.

MAINTENANCE

WARNING: Make certain that the unit is disconnected from power source before attempting to service or remove any component.

REPLACING V-BELT

Refer to Figures 11 and 12.

- Turn sander off and disconnect it from power source.
- Loosen and remove two handles (Figure 11, Ref. No. 58) from either side of the disc table (Figure 11, Ref. No. 69).
- Slide out disc table from the disc guard (Figure 11, Ref. No. 61).
- Loosen the set screw (Figure 11, Ref. No. 65) securing the aluminum disc (Figure 11, Ref. No. 66). Use the hole on the top of disc guard to locate and loosen set screw. Do not remove set screw.
- Loosen and remove four bolts (Figure 11, Ref. No. 24) from disc cover plate (Figure 11, Ref. No. 68).
- Loosen and remove four bolts (Figure 12, Ref. No. 25) from dust collection port (Figure 12, Ref. No. 32).
- Remove disc cover plate and dust collection port.
- Slide out and remove aluminum disc.
- Open cabinet door (Figure 12, Ref. No. 53).
- Turn knob (Figure 12, Ref. No. 52) on bracket (Figure 12, Ref. No. 51) to release tension on V-belt (Figure 11, Ref. No. 64).
- Replace V-belt. Use parts list to order the appropriate V-belt.
- Tighten knob on bracket to tension the V-belt.
- Do not over tension the V-belt. Excessive tension on V-belt will reduce life of the belt and function of the tool. A belt is properly tensioned when light pressure applied to midpoint of the belt produces about $\frac{1}{2}$ " deflection.

MAINTENANCE (CONTINUED)

- Close the cabinet door and secure it with the knob.
- Replace aluminum disc and secure it by tightening the set screw.
- Replace dust collection port and disc cover plate and secure it with bolts.
- Replace disc table onto the disc guard and secure it using the two handles.

CLEANING

Keep machine and workshop clean. Do not allow sawdust to accumulate on the tool. Keep the drums clean. Dirt on drums will cause poor tracking and belt slippage. Operate tool with dust collector to keep dust from accumulating.

WARNING: After sanding wood or nonmetallic material, always clean dust collector and guards of sawdust before grinding metal. Sparks could ignite debris and cause a fire.

Be certain motor is kept clean and is frequently vacuumed free of dust.

Use soap and water to clean painted parts, rubber parts and plastic guards.

LUBRICATION

The shielded ball bearings in this tool are permanently lubricated at the factory. They require no further lubrication.

- When operation seems stiff, a light coat of paste wax applied to the belt and disc tables will make it easier to feed the work while finishing.
- Do not apply wax to the belt platen. Belt could pick up wax and deposit it on the drums causing belt to slip.

KEEP TOOL IN REPAIR

- If power cord is worn, cut, or damaged in any way, have it replaced immediately.
- Replace worn abrasives when needed.
- Replace any damaged or missing parts. Use parts list to order parts.

Any attempt to repair motor may create a hazard unless repair is done by a qualified service technician.

TROUBLESHOOTING

SYMPTOM	POSSIBLE CAUSE(S)	CORRECTIVE ACTION
Motor will not start	<ol style="list-style-type: none"> 1. Low voltage 2. Open circuit in motor or loose connections 	<ol style="list-style-type: none"> 1. Check power line for proper voltage 2. Inspect all lead connections on motor for loose or open connection
Motor will not start; fuses blown or circuit breakers tripped	<ol style="list-style-type: none"> 1. Short circuit in line cord or plug 2. Short circuit in motor or loose connections 3. Incorrect fuses or circuit breakers in power line 	<ol style="list-style-type: none"> 1. Inspect line cord or plug for damaged insulation and shorted wires 2. Inspect all lead connections on motor for loose or shorted terminals or worn insulation on wires. 3. Install correct fuses or circuit breakers
Motor fails to develop full power (power output of motor decreases rapidly with decrease in voltage at motor terminals)	<ol style="list-style-type: none"> 1. Power line overloaded with lights, appliances and other motors 2. Undersized wires or circuits too long 3. General overloading of power company's facilities 4. V-belt tension not correct 	<ol style="list-style-type: none"> 1. Reduce load on power line 2. Increase wire sizes, or reduce length of wiring 3. Request a voltage check from power company 4. Replace V-belt
Motor overheats	<ol style="list-style-type: none"> 1. Motor overloaded 2. V-belts tension not correct 	<ol style="list-style-type: none"> 1. Reduce load on motor. 2. Replace V-belt
Motor stalls (resulting in blown fuses or tripped circuit breakers)	<ol style="list-style-type: none"> 1. Short circuit in motor or loose connections 2. Low voltage 3. Incorrect fuses or circuit breakers in power line 4. Motor overloaded 	<ol style="list-style-type: none"> 1. Inspect connections in motor for loose or shorted terminals or worn insulation on lead wires 2. Correct the low line voltage conditions 3. Install correct fuses or circuit breakers 4. Reduce load on motor
Machine slows down while operating	Applying too much pressure to workpiece	Ease up on pressure
Abrasive belt runs off top wheel	Not tracking properly	See operation "Belt Tracking"

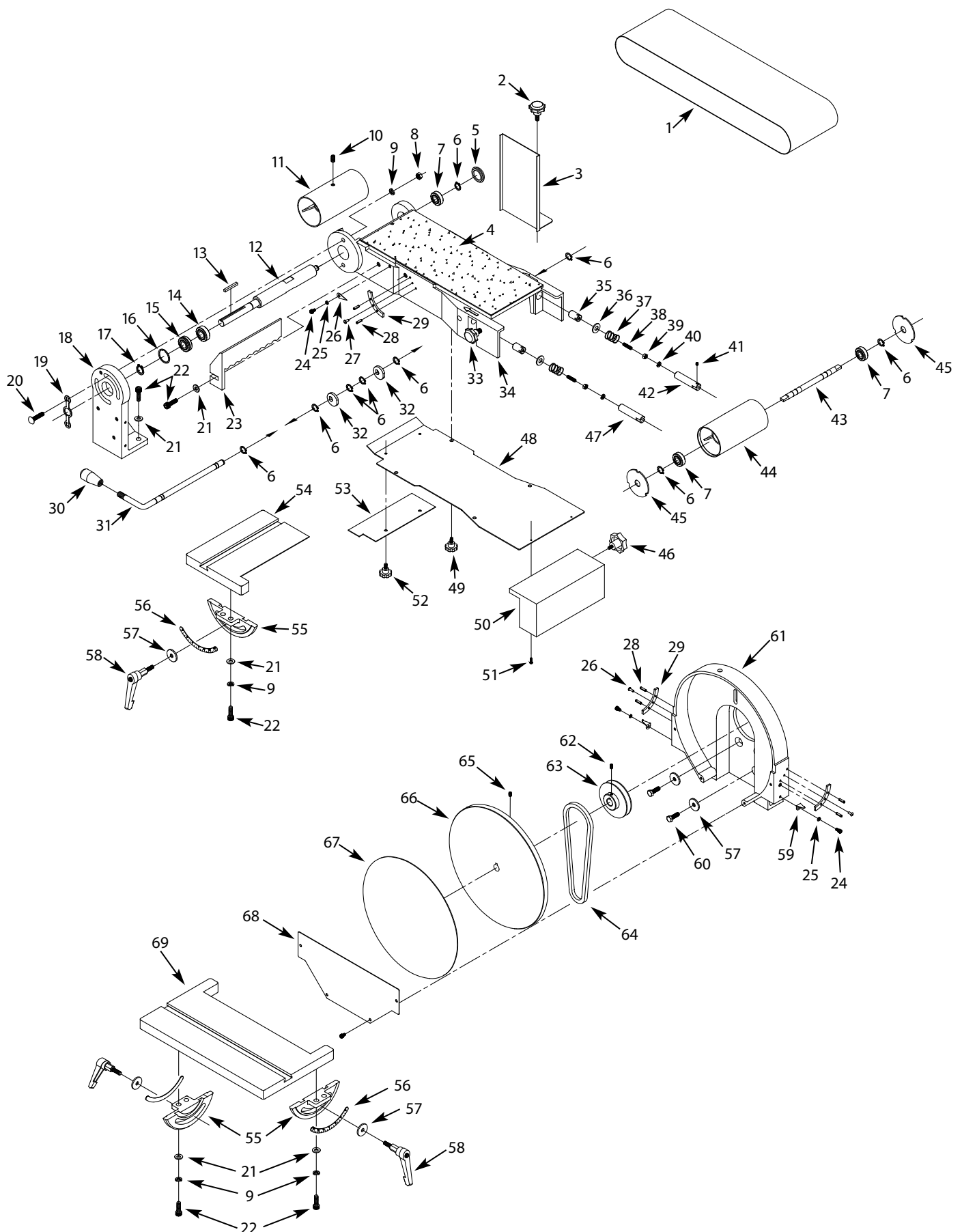


Figure 11 – Replacement Parts Illustration for Sander

REPLACEMENT PARTS LIST FOR SANDER

Ref. No.	Description	Part No.	Qty.	Ref. No.	Description	Part No.	Qty.
1	Abrasive Belt	00511.00	1	36	5/16" Flat Washer (R)	*	3
2	Knob	03314.00	1	37	Spring	03068.00	2
3	Support Bracket	36007.00	1	38	1/4-20 x 1-1/4" Set Screw	*	2
4	Graphite Platen Pad	16842.00	1	39	1/4-20 Hex Nut	*	2
5	Bushing	36008.00	1	40	1/4" Lock Washer	*	2
6	3AMI-12 Retaining Ring	00519.00	9	41	5-0.8 x 6mm Set Screw	*	1
7	6201zz Ball Bearing	00520.00	3	42	Right Adjusting Bar	03070.00	1
8	5/16"-18 Hex Nut	*	2	43	Idler Drum Shaft	03074.00	1
9	5/16" Lock Washer	*	6	44	Idler Drum	08400.00	1
10	5/16-18 x 3/4" Set Screw	*	2	45	Drum Cap	03073.00	2
11	Driving Roller	03056.00	1	46	Knob	36011.00	1
12	Driving Roller Shaft	03057.00	1	47	Left Adjusting Bar	03071.00	1
13	5 x 5 x 65mm Key	02591.00	1	48	Belt Cover	03062.00	1
14	6003zz Ball Bearing	04838.00	1	49	Knob	36012.00	6
15	6003n Ball Bearing	03054.00	1	50	Roller Guard	36013.00	1
16	S35 Snap Ring	03053.00	1	51	3.5 x 10mm Tapping Screw	36014.00	2
17	3AMI-17 Retaining Ring	03052.00	1	52	Knob	36015.00	2
18	Pivot Bracket	03050.00	1	53	Lower Belt Guard	36016.00	1
19	Bolt Liner	03049.00	1	54	Belt Table	03072.00	1
20	5/16-18 x 1-1/4" Carriage Bolt	*	2	55	Trunnion	03042.00	3
21	5/16" Flat Washer (N)	*	10	56	Angle Label	03046.00	3
22	5/16-18 x 1" Socket Head Bolt	*	9	57	5/16" Flat Washer (W)	05662.00	6
23	Work Stop	03051.00	1	58	Lock Handle Assembly	03041.00	3
24	#10-24 x 3/8" Socket Head Bolt	*	7	59	Pointer	03066.00	2
25	#10 Lock Washer	*	3	60	5/16-18 x 1" Hex Head Bolt	*	4
26	Pointer	03045.00	1	61	Disc Guard	03040.00	1
27	Rivet	03043.00	3	62	1/4-20 x 3/8" Set Screw	*	1
28	#10-24 x 3/8" Flat Head Screw	*	6	63	Pulley	02228.00	1
29	Slide	03044.00	3	64	V-Belt A33	25476.00	1
30	Knob	36009.00	1	65	5/16-18 x 3/8" Set Screw	*	1
31	Belt Tension Handle	36010.00	1	66	Aluminum Disc	02225.00	1
32	Cam	03063.00	2	67	Abrasive Disc 12"	02227.00	1
33	Knob	03059.00	2	68	Disk Cover Plate	02226.00	1
34	Belt Housing	03061.00	1	69	Disk Table	03047.00	1
35	Adjusting Nut	03067.00	2	Δ	Operator's Manual	36017.00	1

Δ Not Shown.

* Standard hardware item available locally.

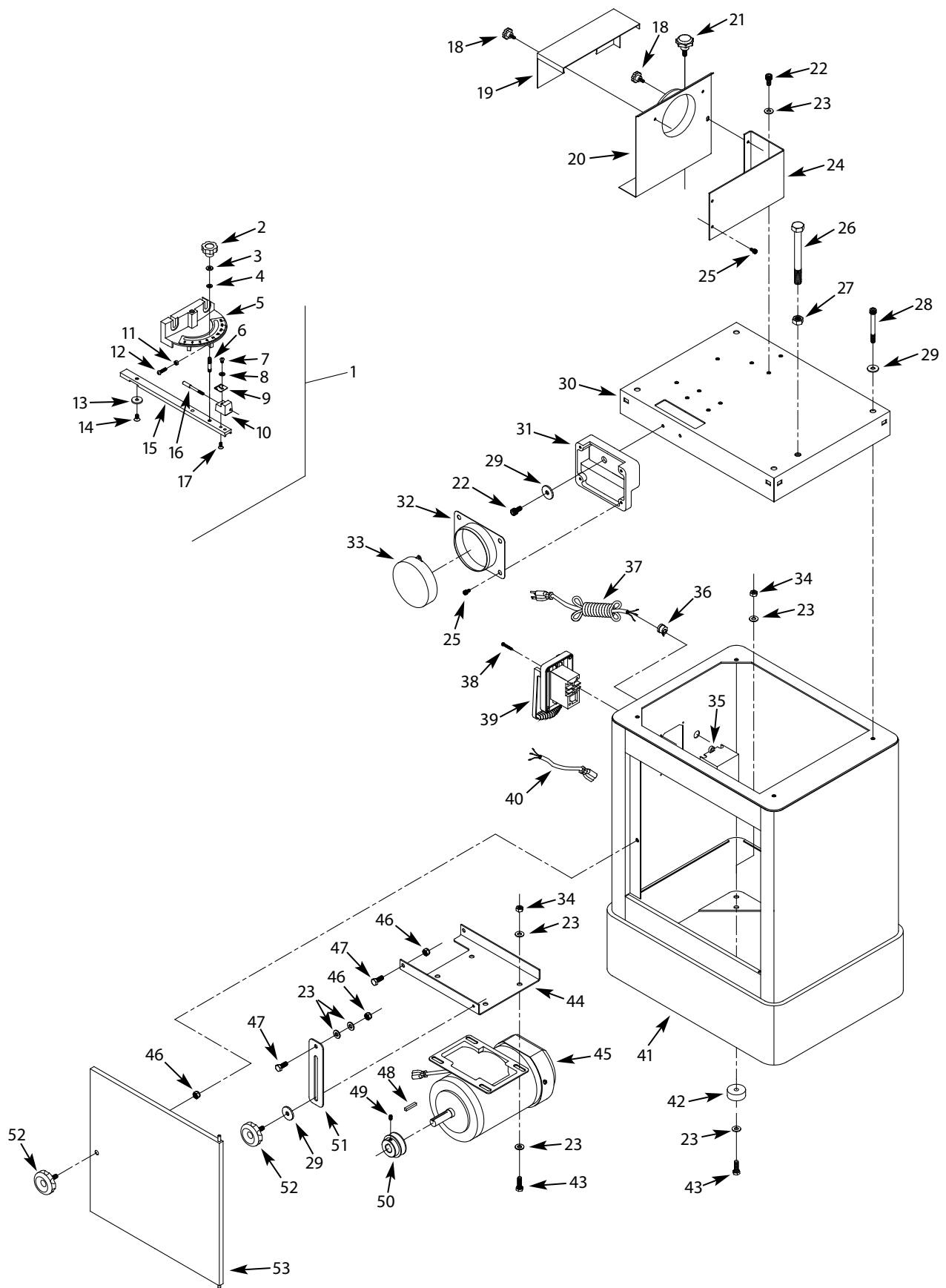


Figure 12 – Replacement Parts Illustration for Cabinet

REPLACEMENT PARTS LIST FOR CABINET

Ref. No.	Description	Part No.	Qty.	Ref. No.	Description	Part No.	Qty.
1	Miter Gauge Assy (Inc. Ref. Nos. 2-17)	36018.00	1	28	5/16-18 x 3" Socket Head Bolt	*	4
2	Knob	36019.00	1	29	5/16" Flat Washer (W)	*	9
3	1/4" Flat Washer	*	1	30	Base	03091.00	1
4	#10 Fiber Washer	01370.00	1	31	Disk Cover Bracket	03083.00	1
5	Miter Gauge	08251.00	1	32	Dust Collection Nozzle	03084.00	1
6	Threaded Pin	08255.00	1	33	Dust Port Cover	36023.00	1
7	#10-24 x 1/4" Pan Head Screw	*	1	34	5/16-18 Hex Nut	*	8
8	#10 Flat Washer	*	1	35	Switch Box	03085.00	1
9	Scale	08254.00	1	36	Strain Relief	01413.00	1
10	Indicator	08253.00	1	37	Power Cord	06948.00	1
11	#10-24 Hex Nut	*	3	38	Tap Screw	36024.00	4
12	#10-24 x 3/4" Pan Head Screw	*	3	39	Switch Assy.	36129.00	1
13	Guide Washer	36020.00	1	40	Switch Cord	36025.00	1
14	6-1.0 x 8mm Flat Head Screw	36021.00	1	41	Cabinet	03076.00	
15	Miter Gauge Bar	03075.00	1	42	Rubber Foot	36026.00	4
16	Indexing Pin	08256.00	1	43	5/16-18 x 1" Socket Head Bolt	*	8
17	#10-24 x 1/4" Flat Head Screw	06370.00	2	44	Motor Plate	03079.00	1
18	Knob	03087.00	3	45	Motor	03080.00	1
19	Belt Side Guard	36022.00	1	46	5/16-18 Locking Nut	*	4
20	Dust Hood	03088.00	1	47	5/16-18 x 3/4 Hex Head Bolt	*	3
21	Knob	03314.00	2	48	5x5x30mm Key	08438.00	1
22	5/16-18 x 1/2" Socket Head Bolt	*	4	49	1/4-20 x 3/8" Set Screw	*	1
23	5/16" Flat Washer (R)	*	18	50	Motor Pulley	03081.00	1
24	Dust Hood Base	03093.00	1	51	Hang Up Bracket	03082.00	1
25	#10-24 x 3/8" Socket Head Bolt	*	6	52	Knob	36027.00	1
26	1/2-13 x 6 1/2" Hex Head Bolt	*	1	53	Door	36028.00	1
27	1/2-13 Hex Nut	*	1				

△ Not Shown.

* Standard hardware item available locally.

WARRANTY

Palmgren warrants their products to be free of defects in material or workmanship. This warranty does not cover defects due directly or indirectly to misuse, abuse, normal wear and tear, failure to properly maintain the product, heated, ground or otherwise altered, or used for a purpose other than that for which it was intended. The warranty does not cover expendable and/or wear parts (i.e. v-belts, coated screws, abrasives), damage to tools arising from alteration, abuse or use other than their intended purpose, packing and freight. The duration of this warranty is expressly limited to one year parts and labor, unless otherwise noted below beginning from the date of delivery to the original user. The Palmgren products carry the following warranties on parts with a 1 year warranty on labor:

- USA Machine vises – Lifetime
- IQ Machine vises – Lifetime
- Bench vises – Lifetime
- Positioning tables – Lifetime
- Bench grinders & buffers – 3 years
- Tapping machines – 2 years
- Drilling machines – 2 years
- Finishing machines – 2 years
- Band saws – 2 years
- Work stands – 2 years
- Arbor presses – 2 years
- Metal forming equipment – 2 years
- Accessories – 1 year

The obligation of Palmgren is limited solely to the repair or replacement, at our option, at its factory or authorized repair agent of any part that should prove deficient. Purchaser must lubricate and maintain the product under normal operating conditions at all times. Prior to operation

become familiar with product and the included materials, i.e. warnings, cautions and manuals. **Failure to follow these instructions will void the warranty.**

This warranty is the purchaser's exclusive remedy against Palmgren for any deficiency in its products. Under no circumstances is Palmgren liable for any direct, indirect, incidental, special or consequential damages including lost profits in any way related to the use or inability to use our products. This warranty gives you specific legal rights which may vary from state to state.

SERVICE & REPAIR

1. If a Palmgren product requires a repair or warranty service **DO NOT** return the product to the place of purchase.
2. All warranty related work must be evaluated and approved by Palmgren.
3. Prior to returning any item the user must obtain factory approval and a valid RGA number.
4. For instructions and RGA number call toll free (800) 621-6145.

LIJADORA DE CORREA Y DISCO DE 6 X 12"

NO. DE EXISTENCIA
81112

Antes de utilizar este producto por primera vez, lea cuidadosamente todas las normas de seguridad y las instrucciones de operación y cumpla con las mismas.

DESCRIPCIÓN

La Lijadora de Correa y Disco de 6 x 12" Palmgren con gabinete, está construida de acero reforzado y hierro fundido fuerte para proporcionar estabilidad y una operación libre de vibraciones. La correa de 6 x 12" y el disco de 12" de diámetro se utilizan para lijar, desbarbar, biselar y esmerilar piezas grandes de madera, plástico y metal.

La caja de la correa de 6 x 12" se puede pivotar desde lo vertical a lo horizontal para lijar piezas de trabajo grandes y rectas. El conjunto de la correa incluye una mesa de hierro fundido que se inclina a 45°, una guía de ingletes y una canaleta colectora de polvo de 4".

El disco de 12" de diámetro se puede usar para lijar o biselar superficies, utilizando la mesa de hierro fundido que se inclina a 45° y en 20°, la ranura de la guía de ingletes y la canaleta de recolección de polvo de 4".

El tambor loco de 3" de diámetro permite lijar los acabados y formas con contorno al colocar el conjunto de la correa desde una posición vertical a una horizontal.

El par de canaletas de recolección de polvo acepta una manguera estándar de recolección de polvo de 4" para remover rápidamente el polvo. La guía de ingletes ajustable se puede usar tanto en la mesa de la correa como en la del disco, para guiar las piezas de trabajo en el ángulo deseado mientras se lija.

DESEMPAQUE

Refiérase la Figura 1.

Verifique si han ocurrido daños durante el envío. Si ha ocurrido algún daño, se debe entablar un reclamo con la compañía de transportes. Verifique que la orden esté completa. Informe inmediatamente al distribuidor si hay partes que faltan.

La lijadora viene montada como una unidad. Se deben encontrar las partes adicionales que se deben fijar a la lijadora y asegurarse que no falte ninguna antes de efectuar el montaje.

- A Disco abrasivo
- B Mesa de la correa con soporte giratorio
- C Conjunto de la guía de ingletes
- D Tope Funcional
- E Dos mangos
- F Tapa del puerto de admisión

La bolsa de partes incluye: nueve arandelas planas de 8 mm, cuatro tuercas hexagonales de 8-1.25 mm y cuatro pies de soporte con perno.

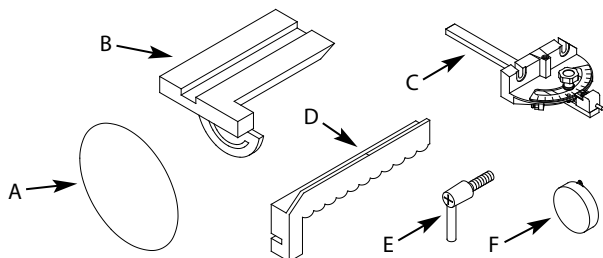


Figura 1 – Desembalaje

ESPECIFICACIONES

Tamaño de la correa	6 x 48"
Superficie de la platina de la correa	6 1/4 x 16 3/4"
Dimensiones de la mesa de la correa	6 x 10 1/8"
Inclinación de la mesa de la correa	-20° a +45°
Diámetro del canal del polvo de la correa	4"
Velocidad de la correa	1830 PPM
Diámetro del disco	12"
Dimensiones de la mesa del disco	7 x 16"
Inclinación de la mesa del disco	0 a 45° hacia adentro 0 a 20° hacia afuera
Diámetro del canal del polvo del disco	4"
Velocidad del disco	2350 RPM
Dimensiones generales	23 x 21 x 58"
Interruptor	120 voltios, SP
Motor	1 1/2 HP, 3450 RPM, 120/240V, 14/7A
Peso	191 lbs
Peso de embarque	220 lbs

INFORMACIÓN DE SEGURIDAD GENERAL

ADVERTENCIA: Para su propia seguridad, lea todas las instrucciones y las precauciones antes de operar la herramienta.

PRECAUCION: Siempre siga los procedimientos de operación correctos, tal como se definen en este manual, aun cuando esté familiarizado con el uso de ésta o de otras herramientas similares. Recuerde que si no se tiene cuidado por aunque sea una fracción de un segundo se pueden producir lesiones personales graves.

ADVERTENCIA: Parte del polvo producido por el lijado mecánico, serrado, esmerilado, taladrado y otras tareas de construcción contiene sustancias químicas que se sabe que pueden ocasionar cáncer, malformaciones congénitas u otros daños reproductivos.

Algunos ejemplos de estas sustancias químicas son:

- Plomo proveniente de pinturas con base de plomo.
- Sílice cristalino proveniente de ladrillos, cemento y otro material de mampostería.
- Arsénico y cromo proveniente de madera químicamente tratada.

El riesgo debido a la exposición a estas sustancias químicas depende de la frecuencia con la cual realice este tipo de trabajo. Para reducir la exposición a estas sustancias químicas: trabaje en un área bien ventilada y utilice equipo de seguridad aprobado. Cuando trabaje con este tipo de herramientas, utilice siempre una máscara para la cara o respirador adecuadamente ajustados, aprobados por **OSHA/NIOSH**.

ESTE PREPARADO PARA EL TRABAJO

- Use ropa apropiada. No use ropa suelta, guantes, corbatas, anillos, pulseras u otras joyas que puedan quedar atrapadas en las partes móviles de la máquina.
- Use una cubierta protectora para el cabello, para sujetar el cabello largo.
- Use zapatos de seguridad con suelas antideslizantes.

INFORMACIÓN DE SEGURIDAD GENERAL (CONTINUACIÓN)

- Use gafas de seguridad, que cumplan con ANSI Z87.1 de Estados Unidos. Los anteojos corrientes tienen solamente lentes resistentes al impacto. **NO** son anteojos de seguridad.
- Use una máscara para la cara o una máscara para el polvo, si la operación de lijado produce polvo.
- Esté alerta y piense claramente. Nunca opere herramientas mecánicas cuando esté cansado, intoxicado o cuando esté tomando medicamentos que causan somnolencia.

PREPARACION DEL AREA PARA EJECUTAR EL TRABAJO

- Mantenga el área limpia. Las áreas de trabajo desordenadas atraen accidentes.
- No use herramientas mecánicas en ambientes peligrosos. No use herramientas mecánicas en lugares húmedos o mojados. No esponga las herramientas mecánicas a la lluvia.
- El área de trabajo debe estar iluminada adecuadamente.
- Tiene que haber disponible un receptáculo eléctrico adecuado para la herramienta. El enchufe de tres puntas se tiene que enchufar directamente en un receptáculo de tres puntas conectado a tierra correctamente.
- Los cordones de extensión deben tener una punta de conexión a tierra y los tres alambres del cordón de extensión deben ser del calibre correcto.
- Mantenga a los visitantes a una distancia prudente del área de trabajo.
- Mantenga a los niños fuera del lugar de trabajo. Haga que su taller sea a prueba de niños. Use candados, interruptores principales o remueva las llaves del interruptor para evitar el uso no intencional de las herramientas mecánicas.

ES IMPORTANTE MANTENER LAS HERRAMIENTAS

- Desenchufe siempre la herramienta antes de inspeccionarla.
- Consulte el manual para informarse sobre los procedimientos de mantenimiento y ajuste específicos.
- Mantenga la herramienta lubricada y limpia, para obtener una operación más segura.
- Remueva las herramientas de ajuste. Fórmese el hábito de revisar para verificar si las herramientas de ajuste se han removido antes de encender la máquina.
- Mantenga todas las partes listas para funcionar. Revise para determinar que el protector u otras partes operarán correctamente y harán el trabajo que deben hacer.
- Revise para verificar si hay partes dañadas. Revise para verificar el alineamiento de las partes móviles, si hay atascamiento, roturas y montaje o cualquier otra condición que pudiera afectar la operación de la herramienta.
- Se debe reparar o cambiar correctamente un protector o cualquier otra parte que esté dañada. No haga reparaciones provisionarias. (Use la lista de partes que se proporciona para ordenar partes de reparación.)

EL OPERADOR DEBE SABER COMO USAR LA HERRAMIENTA

- Use la herramienta correcta para el trabajo. No fuerce la herramienta, o el accesorio, ni los use para un trabajo para el cual no han sido diseñados.
- Desconecte la herramienta cuando cambie la correa o el disco abrasivo.
- Evite el arranque por accidentes. Asegúrese que el interruptor de la herramienta esté en la posición OFF (apagado) antes de enchufarla.
- No fuerce la herramienta. Trabajaré en la forma más eficiente a la velocidad para la cual se diseñó.
- Mantenga las manos alejadas de las partes móviles y de las superficies lijadoras.
- Nunca deje que una herramienta funcione sola. Desconéctela y no se vaya hasta que se detenga completamente.
- No trate de alcanzar demasiado lejos. Manténgase firme y equilibrado.
- Nunca se pare en la herramienta. Se pueden producir lesiones graves si la herramienta se inclina, o si se toca el disco o la correa por accidente.
- Conozca su herramienta. Aprenda la operación de la herramienta, aplicación y limitaciones específicas.
- Maneje la pieza de trabajo correctamente. Protéjase las manos de posibles lesiones.
- Desconecte la máquina si se atasca. La cortadora se atasca cuando penetra demasiado profundamente en la pieza de trabajo. (La fuerza del motor la mantiene pegada a la pieza de trabajo.)

- Soporte la pieza de trabajo con la guía de ingletes, la platina de la correa o la mesa de trabajo.
- Mantenga un espacio libre máximo de 1/16" entre la mesa y la correa o el disco para lijar.

PRECAUCION: ¡Piense en la seguridad! La seguridad es una combinación del sentido común del operador y de estar alerta en todo momento cuando se está usando la herramienta.

ADVERTENCIA: No trate de operar la herramienta hasta que esté completamente montada según las instrucciones.

MONTAJE

PRECAUCION: No trate de montarla si hay partes que faltan. Use este manual para ordenar las partes de reparación.

Se debe escoger un lugar apropiado antes de armar la lijadora. La lijadora y el gabinete pesan aproximadamente 200 libras cuando la unidad está completamente armada. Estos se deben armar en el lugar donde se van a utilizar.

- Se debe colocar la lijadora sobre una superficie plana y nivelada.
- Asegúrese de que haya suficiente espacio en ambos lados de las mesas de entrada y de salida del cepillo mecánico para que pueda mover la pieza de trabajo a lo largo de todo el corte. Deberá haber suficiente espacio para que el operador o las personas a su alrededor no tengan que situarse en línea con la madera cuando se usa la herramienta.
- También se necesitan una buena iluminación y el abastecimiento de energía eléctrica correcto para un área de trabajo adecuada.

AJUSTE DE LA CAJA DE LA CORREA A LA POSICION VERTICAL

Refiérase a las Figuras 11 y 12.

- Sitúese en frente de la lijadora y afloje y extraiga cuatro manillas (Figura 12, Ref. Nos. 18 y 21).
- Desmonte la cubierta de polvo (Figura 12, Ref. No. 19 y 20).
- Afloje las tuercas hexagonales (Figura 11, Ref. No. 8) en la pieza fundida de la caja de la correa (Figura 11, Ref. No. 34). No extraiga la tuerca hexagonal.
- Sitúese detrás de la lijadora y levante cuidadosamente la caja de la correa hacia arriba, sujetando la caja por sus lados.
- Levante la caja hasta que ajuste en posición vertical.
- Apriete las tuercas hexagonales (Figura 11, Ref. No. 8) en la parte posterior de la lijadora.
- Monte la cubierta de polvo, usando las manillas del paso 5.

MONTAJE DE LOS PIES DE SOPORTE

Refiérase a la Figura 12.

Partes y piezas necesarias:

Cuatro pies de soporte con perno

PRECAUCION: La lijadora y el gabinete pesan aproximadamente 200 libras. Serán necesarias al menos dos personas para instalar los pies de soporte.

- Incline cuidadosamente la lijadora para levantar el gabinete del piso lo suficiente de manera que se pueda colocar uno de los descansos con perno debajo de la esquina del gabinete y deslizar el mismo a través del orificio en la base del gabinete. Baje lentamente el gabinete sobre el piso.
- Repita el paso 1 tres veces más para instalar un descanso con perno debajo de cada una de las esquinas del gabinete.
- Afloje la manilla (Ref. No. 52) y abra la puerta del gabinete (Ref. No. 53).
- A través de la abertura de la puerta del gabinete, fije los descansos en el gabinete usando cuatro arandelas planas y cuatro tuercas hexagonales.
- Asegúrese de que todas las tuercas hexagonales estén apretadas.
- Cierre la puerta del gabinete y fjela con la manilla del paso 3.

MONTAJE DE LA MESA DE LA CORREA

Refiérase a las Figuras 2 y 11.

Partes y piezas necesarias:

Mesa de la correa con soporte giratorio

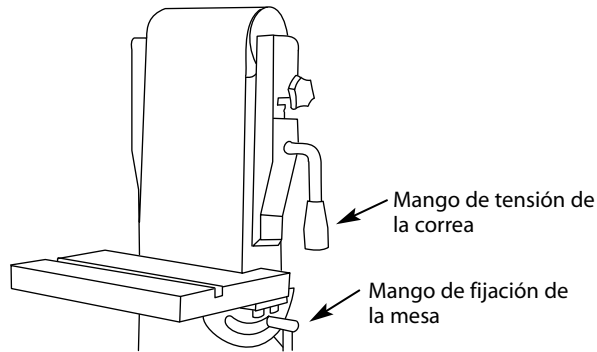
Mango

Arandela plana de 8 mm

- Sitúe la mesa de la correa (Ref. No. 54) en la caja de la correa (Ref. No. 34) de manera que se pueda mover el soporte giratorio (Ref. No. 55) en el deslizador (Ref. No. 29).

MONTAJE (CONTINUACIÓN)

- Establezca la posición de la mesa de la correa de manera que la marca de 0° en el soporte giratorio esté alineada con el indicador de posición (Ref. No. 26).
- Fije la posición de la mesa de la correa usando el mango y una arandela plana. Atornille y apriete el mango en el orificio roscado en la caja de la correa.

**Figura 2 – Instalación de la mesa de la correa**

- La lijadora viene con el mango de tensión de la correa (Ref. No. 31) en la posición no tensada. Mueva el mango hacia abajo y hacia la mesa de la correa para tensar la correa.
- Asegúrese de que el espacio entre la correa y la mesa de la correa no exceda 1/16".
- Use guantes de protección y empuje la correa manualmente para verificar que el movimiento de ésta sea uniforme y sin ninguna interferencia.

COLOCACION DE LA MESA DEL DISCO

Refiérase a la Figura 11.

Parte necesaria:

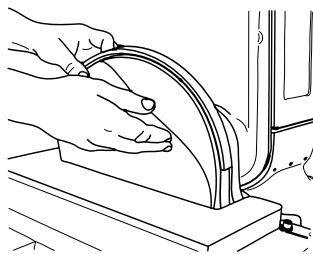
Mango

- La lijadora viene con la mesa del disco (Ref. No. 61) montada en la protección del disco (Ref. No. 69) mediante un mango con una arandela plana en un lado y un perno de cabeza hexagonal con arandela plana en el otro lado.
- Afloje y extraiga de la mesa del disco el perno de cabeza hexagonal y la arandela plana.
- Sustituya el perno de cabeza hexagonal con el mango proporcionado. Fije la mesa del disco en la protección del disco usando el mango y la arandela plana.

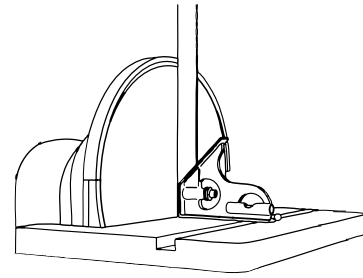
MONTAJE DEL DISCO ABRASIVO EN EL DISCO DE ALUMINIO

Refiérase a las Figuras 3, 4 y 11.

- La lijadora viene con el disco abrasivo (Ref. No. 67) no montado en el disco de aluminio (Ref. No. 66).
- Si es necesario, limpie el disco de aluminio antes de montar el disco abrasivo.
- Remueva la cubierta adhesiva en la parte posterior del disco abrasivo.
- Deslice el disco abrasivo entre la mesa del disco y el disco de aluminio y centre el disco abrasivo en el disco de aluminio.
- Aplique presión sobre el disco abrasivo para pegarlo.
- Asegúrese de que el disco abrasivo esté pegado parejo en el disco de aluminio.

**Figura 3 – Montaje del disco abrasivo**

- Asegúrese de que el espacio entre la mesa del disco y el disco abrasivo no exceda 1/16".

**Figura 4 – Inspeccione la mesa del disco**

- Utilice un borde recto o una escuadra para comprobar si la mesa del disco está a 90° con respecto al disco.
- Use un guante de protección y gire el disco manualmente para verificar que éste gire libremente y sin ninguna interferencia.

MONTAJE DE LA GUIA DE INGLETES

Refiérase a las Figuras 11 y 12.

Parte necesaria:

Conjunto de la guía de ingletes

- La guía de ingletes viene totalmente armada (Fig. 12, Ref. No. 1) y se puede utilizar con la mesa de la correa o la mesa del disco (Fig. 11, Ref. Nos. 54 y 69).
- Deslice la barra de la guía de ingletes (Fig. 12, Ref. No. 15) en la ranura de la mesa de la correa o del disco.

INSTALACIÓN

Refiérase a las Figuras 5, 6 y 7.

ADVERTENCIA: Todas las conexiones eléctricas tienen que ser hechas por un electricista calificado.

ADVERTENCIA: No conecte la lijadora a la fuente de energía eléctrica hasta que haya completado todos los pasos de montaje.

FUENTE DE ENERGIA

- El motor ha sido diseñado para operar con el voltaje y la frecuencia especificados.
- Las cargas normales se pueden manejar con seguridad con voltajes no mayores de 10% por encima o por debajo del voltaje especificado.
- Si se hace funcionar la unidad con voltajes que no estén dentro de la gama, se puede producir un calentamiento excesivo y quemarse el motor.
- Las cargas pesadas exigen que el voltaje en los terminales del motor no sean menos que el voltaje especificado. El suministro de energía al motor se controla mediante un interruptor oscilante de seguridad de doble polo. Extraiga la llave para impedir el uso no autorizado de la herramienta.

INSTRUCCIONES PARA LA CONEXION A TIERRA

ADVERTENCIA: Si se conecta incorrectamente el conductor de conexión a tierra del equipo, se puede producir un riesgo de choque eléctrico. El equipo debe estar conectado a tierra mientras se está usando, para proteger al operador contra un choque eléctrico.

Consulte con un electricista capacitado si no entiende las instrucciones de conexión a tierra o no está seguro si la herramienta está correctamente conectada a tierra.

Esta herramienta viene con un cordón eléctrico aprobado de 240 voltios nominales y un enchufe de tres puntas con derivación a tierra de 125 voltios nominales (vea la Figura 5) para protegerlo contra el peligro de sacudidas eléctricas.

INSTALACIÓN (CONTINUACIÓN)

El enchufe de conexión a tierra se debe enchufar directamente en un receptáculo de conexión a tierra de 3 puntas, conectado a tierra e instalado correctamente, como se muestra en la Figura 5.

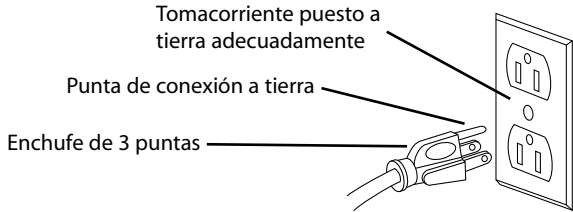


Figura 5 – Receptáculo para 3 Puntas

No remueva ni altere la punta de conexión a tierra de ninguna manera. En el caso de una falla o de una descarga disruptiva, la conexión a tierra proporciona el camino de menor resistencia al choque eléctrico.

ADVERTENCIA: No permita que los dedos toquen los terminales o el enchufe cuando se están instalando o removiendo del tomacorriente.

El enchufe se debe enchufar en el tomacorriente correspondiente, que debe estar instalado correctamente y conectado a tierra según todos los códigos y reglamentos locales. No modifique el enchufe que se proporciona. Si no calza en el tomacorriente, haga que un electricista calificado instale uno correcto.

Inspeccione los cordones de la herramienta periódicamente y, si están dañados, hágalos reparar por un servicio autorizado.

El conductor verde (o verde y amarillo) del cordón es el cable de conexión a tierra. Si es necesario reparar o cambiar el cordón eléctrico o el enchufe, no conecte el cable verde (o verde y amarillo) a un terminal cargado.

Cuando se encuentra un receptáculo de pared de dos puntas, se debe reemplazar por un receptáculo de 3 puntas conectado a tierra correctamente e instalado de acuerdo con los códigos y reglamentos del Código Eléctrico Nacional y con los códigos locales.

ADVERTENCIA: Este trabajo debe ser ejecutado por un electricista calificado.

Se puede obtener un adaptador de conexión a tierra provisorio de 3 puntas a 2 puntas (vea la Figura 6) para conectar los enchufes a un tomacorriente bipolar, si está conectado a tierra correctamente.

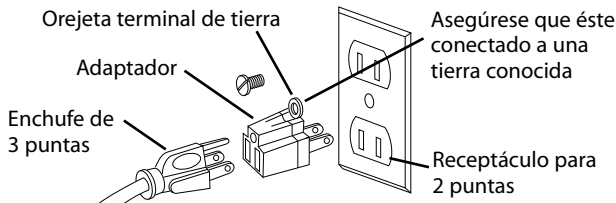


Figura 6 – Receptáculo con Adaptador para Enchufe de 2 Puntas

No use un adaptador de conexión a tierra de 3 puntas a 2 puntas a menos que sea permitido por los códigos y reglamentos locales y nacionales.

(En Canadá no se permite usar un adaptador de conexión a tierra de 3 puntas a 2 puntas.) En donde está permitido, la lengüeta verde rígida o el terminal en el lado del adaptador debe estar conectado firmemente a una conexión a tierra eléctrica permanente, tal como una tubería de agua conectada a tierra correctamente, una caja de tomacorriente conectada a tierra correctamente o un sistema de cables conectado a tierra correctamente.

Muchos de los tornillos de la plancha de cubierta, las tuberías de agua y las cajas de tomacorriente no están conectados a tierra correctamente. Para asegurar una conexión a tierra correcta, un electricista calificado debe probar los medios de conexión a tierra.

CORDONES DE EXTENSION

- El uso de cualquier cordón de extensión producirá cierta caída de voltaje y pérdida de energía.
- Los cables del cordón de extensión tienen que ser del tamaño suficiente como para conducir corriente y mantener el voltaje adecuado.
- Use la tabla para determinar el tamaño mínimo del cordón de extensión (A.W.G.).

- Use cordones de extensión de cables, con enchufes del tipo de conexión a tierra de tres puntas y receptáculos tripolares que acepten el enchufe de la unidad.
- Si el cordón de extensión está desgastado, cortado o dañado en alguna forma, cámbielo inmediatamente.

LONGITUD DEL CORDON DE EXTENSION (115 V)

Tamaño del alambre	Norma AWG
Hasta 25 pies	14
25-50 pies	12

AVISO: No se recomienda utilizar cordones de extensión de más de 50 pies de largo.

LONGITUD DEL CORDON DE EXTENSION (230 V)

Tamaño del alambre	Norma AWG
Hasta 50 pies	18
50-100 pies	16
100-200 pies	14
200-300 pies	12

AVISO: No se recomienda utilizar cordones de extensión de más de 300 pies de largo.

CONEXIONES ELECTRICAS

ADVERTENCIA: Todas las conexiones eléctricas tienen que ser hechas por un electricista calificado.

ADVERTENCIA: Asegúrese de que la herramienta esté apagada y desconectada de la fuente de energía eléctrica cuando monte, conecte, o vuelva a conectar el motor y cada vez que inspeccione el cableado.

El motor y los cables están instalados tal como se muestra en el esquema de cableado (vea la Figura 7). El motor se monta con un cordón eléctrico aprobado de tres conductores para uso con 120 voltios.

El motor viene de la fábrica cableado para 120 voltios.

- Para operar la prensa taladradora con 230 voltios, vuelva a cablear el motor según se muestra en la Figura 7 y reemplace el enchufe del cordón con un enchufe de 230 voltios, 15 amperios y tres puntas. Si la etiqueta del motor tiene una configuración de cableado diferente, use el diagrama en la etiqueta del motor para volver a cablear el motor.

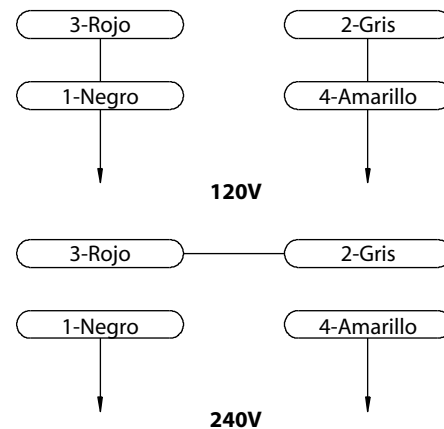


Figure 7 – Esquema del cableado

El interruptor pulsador tiene un solenoide que evita el re arranque luego de una interrupción del suministro de alimentación. Para arrancar la máquina luego de una interrupción del suministro de alimentación, oprima el interruptor OFF (apagado) primero, y luego oprima el interruptor ON (encendido).

OPERACIÓN

Refiérase a las Figuras 8, 9, 10, 11 y 12.

ADVERTENCIA: La operación de todas las herramientas mecánicas puede hacer que los objetos sean lanzados a los ojos y producir daños oculares graves. Siempre use gafas de seguridad que cumplan con los requisitos de ANSI Z87.1 de Estados Unidos (se muestran en el paquete) antes de comenzar con la operación de las herramientas mecánicas.

PRECAUCION: Siempre observe las siguientes precauciones de seguridad:

- Cuando se ajuste o cambie cualquier parte en la herramienta, apague el interruptor y remueva el enchufe de la fuente de energía.
- Vuelva a revisar los mangos y el perno de la mesa. Tienen que estar apretados en forma segura.
- Asegúrese que todas las protecciones estén adjuntas correctamente y sujetas en forma segura.
- Asegúrese que todas las partes móviles estén libres y sin ninguna interferencia.
- Asegúrese que todos los sujetadores estén apretados y que no se hayan soltado con la vibración.
- Con la energía desconectada, pruebe la operación manualmente para verificar el espacio libre y ajústelo si es necesario.
- Siempre use protección para los ojos o la cara.
- Asegúrese que la correa abrasiva esté alineada en forma correcta. El alineamiento correcto le entrega el rendimiento óptimo.
- Después de encender el interruptor, siempre deje que la correa llegue a una velocidad completa antes de lijar o esmerilar.
- Asegúrese que el motor funcione en el sentido de las manillas del reloj, en el lado del disco. La correa abrasiva tiene que avanzar hacia abajo.
- Mantenga las manos alejadas de la correa abrasiva, el disco y las partes en movimiento.
- Para obtener el rendimiento óptimo no haga parar el motor ni reduzca la velocidad. No fuerce el trabajo dentro de la parte abrasiva.
- Soporte la pieza de trabajo con la mesa de la correa cuando se lije con la correa, y con la mesa del disco cuando se lije con el disco.
- Nunca empuje una esquina afilada de la pieza de trabajo rápidamente en contra de la correa o del disco. La parte trasera abrasiva puede desgarrarse.
- Cambie la parte abrasiva cuando se carga (se pone lustrosa) o se deshila.
- Cuando esmerile el metal, mueva la pieza de trabajo a través de la parte abrasiva para evitar la acumulación de calor.
- Nunca trate de lijar mojado. Si la pieza de trabajo se calienta demasiado como para manejarla; enfríela en agua.

AJUSTE DE LA POSICION DE LA MESA DE LA CORREA

Refiérase a las Figuras 8 y 11.

La mesa de la correa (Ref. No. 70) se puede inclinar desde -20° a hasta 45°. Para ajustar la posición de la mesa de la correa:

- Afloje el mango (Ref. No. 58) en el lado derecho de la mesa.
- Coloque la mesa de la correa en el ángulo deseado utilizando la escala.
- Apriete el mango para fijar la posición de la mesa de la correa.

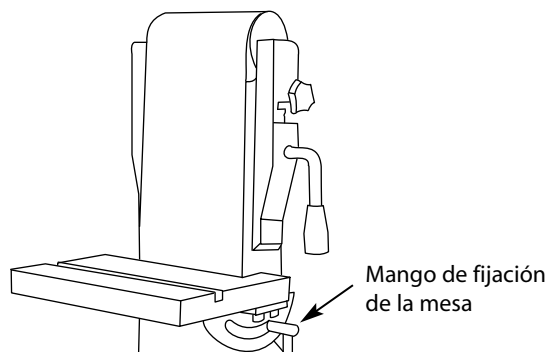


Figura 8 – Ajuste de la mesa de la correa

TOPE FUNCIONAL

Refiérase a la Figura 11.

El tope funcional (Ref. No. 23) se puede utilizar en lugar de la mesa de la correa.

- Remueva la mesa de la correa de la caja de la correa (Ref. No. 34) Para hacer esto, afloje y remueva el mango (Ref. No. 58).
- Monte el tope funcional usando el perno (Ref. No. 22) y la arandela (Ref. No. 21) localizados en la caja de la correa.

AJUSTE DE LA CAJA DE LA CORREA

Refiérase a las Figuras 9, 11 y 12.

La caja de la correa (Figura 11, Ref. No. 34) se puede colocar en una posición totalmente vertical, totalmente horizontal o a cualquier ángulo intermedio que sea conveniente para la operación de lijado.

Para ajustar la posición de la caja de la correa:

- Afloje y remueva cuatro manillas (Figura 12, Ref. Nos. 18 y 21).
- Remueva las cubiertas de polvo (Figura 12, Ref. Nos. 19 y 20).
- Afloje las tuercas hexagonal (Figura 11, Ref. No. 8).
- Sitúese detrás de la lijadora.
- Empuje cuidadosamente la caja de la correa para moverla hasta el ángulo deseado.
- Se ha proporcionado un perno de retención (Figura 12, Ref. No. 26) para inmovilizar la caja de la correa en la posición totalmente horizontal.
- Apriete las dos tuercas hexagonales (Figura 11, Ref. No. 8) para fijar la posición de la caja de la correa.
- Monte la cubierta de polvo usando las manillas del paso 1.

LIJADO CON LA CORREA EN POSICION HORIZONTAL

Refiérase a las Figuras 9 y 11.

- Ajuste la caja de la correa a la posición totalmente horizontal, tal como se describe en la sección anterior, "Ajuste de la caja de la correa".
- Remueva el mango (Ref. No. 58) y luego la mesa de la correa.

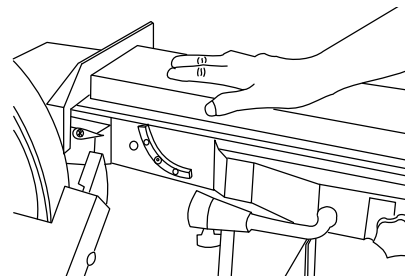


Figura 9 – Lijado con la correa en posición horizontal

- Instale el tope funcional según se describe anteriormente.
- El tambor libre (Ref. No. 44) se puede utilizar como un tambor de contacto para lijar superficies curvadas.

AVISO: Será necesario extraer la protección de la correa (Ref. No. 50).

ACABADO DE LA CORREA ABRASIVA

- Acabado de las superficies planas: Sujete firmemente la pieza de trabajo con ambas manos, mantenga los dedos alejados de la correa abrasiva.
- Use el tope funcional, el que se usa para colocar y estabilizar el trabajo. Mantenga el extremo apoyado contra el tope funcional y mueva el trabajo uniformemente a través de la correa abrasiva. Tenga mucho cuidado cuando esté acabando piezas muy delgadas.
- Acabado de las piezas largas: remueva el tope funcional. Aplique solamente la presión suficiente para permitir que la correa abrasiva remueva el material.
- Acabado de bordes curvos: Acabe las curvas exteriores en la parte plana de la correa abrasiva. Acabe las curvas interiores en la parte del tambor loco de la correa abrasiva.
- Acabado del contrahilo: Es más conveniente acabar los extremos de las piezas de trabajo largas con la correa abrasiva en posición vertical.
- Mueva la pieza de trabajo uniformemente a través de la correa.
- Para una mayor precisión, use la guía de ingletes.
- Ajuste el ángulo de la mesa de la correa para trabajos de biselado.

OPERACIÓN (CONTINUACIÓN)

USO DE LA GUIA DE INGLETES

Refiérase a la Figura 12.

- La guía de ingletes se usa en la mesa del disco y la mesa de la correa. Utilice la guía de ingletes para sujetar la pieza de trabajo y mantener el ángulo correcto cuando se esté lijando.
- Ajuste el ángulo, cambiando la posición de la guía de ingletes (Ref. No. 5). Afloje la manilla (Ref. No. 2) para cambiar la posición de la guía de ingletes.
- Apriete la manilla para fijar la posición de la guía de ingletes.
- El conjunto de la guía de ingletes tiene puntos de retención configurados para 90° y 45° en ambos lados.
- Para hacer uso de los puntos de retención, afloje la manilla, retraiga cuidadosamente el pasador de indización (Ref. No. 16), gire ligeramente la guía de ingletes, inserte el pasador de indización y gire la guía de ingletes hasta que el borde del tornillo (Ref. No. 12) tope contra el pasador de indización.
- Verifique la exactitud de la escala de la guía de ingletes (Ref. No. 9)
- Utilice una escuadra combinada para ajustar la escuadra de la guía de ingletes con respecto al disco. La escala deberá estar en la posición cero. Si es necesario, afloje el tornillo (Ref. No. 7) y cambie la posición de la escala.

ALINEACION DE LA CORREA

Refiérase a las Figuras 10 y 11.

La correa (Ref. No. 1) debe oscilar alrededor del centro en tambores de impulsión y tensión (Ref. Nos. 11 y 44). La lijadora viene con el mecanismo de alineación ajustado correctamente. No obstante, si es necesario hacer un ajuste:

- Afloje las manillas (Ref. No. 53) en el lado de la caja de la correa (Ref. No. 34).
- Encienda la unidad.
- Inserte una llave hexagonal de $\frac{1}{8}$ " o $\frac{5}{32}$ " en el orificio de la tuerca de ajuste (Ref. Nos. 42 y 47) en cualquiera de los lados.

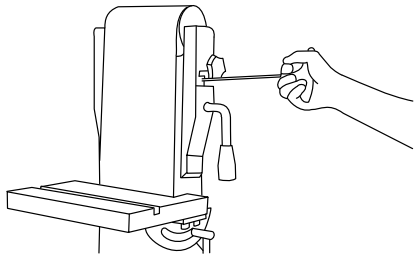


Figura 10 – Alineación de la correa

- Gire la tuerca de ajuste hacia la derecha para mover la correa hacia usted o gire la tuerca de ajuste hacia la izquierda para alejar la correa.
- Asegúrese de que la correa viaje centrada sobre el tambor de impulsión y el tambor libre.
- Apague la unidad.
- Apriete la manilla en el lado de la caja de la correa para fijar el ajuste de alineación.

CAMBIO DE LA CORREA

Refiérase a las Figuras 10 y 11.

- Se debe cambiar la correa lijadora cuando ésta se encuentre desgastada, rota o vidriada.
- Empuje el mango de tensión de la correa (Ref. No. 31) hacia arriba para destensar la correa.
- Afloje los pernos (Ref. No. 46) y extraiga la protección de la correa (Ref. No. 50).

- Afloje y remueva cuatro manilla (Ref. No. 49) en la parte posterior de la lijadora.
- Remueva la cubierta de la correa (Ref. No. 48).
- Remueva manilla y puntal (Ref. Nos. 2 y 3).
- Desmonte la correa vieja del tambor de impulsión y del tambor libre (Ref. Nos. 11 y 44).

AVISO: Puede que haya una flecha en el interior de la correa. La flecha tiene que señalar hacia abajo hacia la mesa de la correa para estar seguro que su unión no se va a separar.

- Monte y centre la correa nueva sobre el tambor de impulsión y el tambor libre.
- Empuje el mango de tensión de la correa hacia el tambor de impulsión para tensar la correa.
- Monte la cubierta de la correa usando las manillas.
- Vuelva a instalar la protección de la correa.
- Utilice un guante de protección y gire manualmente la correa para verificar el alineamiento. Si es necesario hacer un ajuste de alineación, siga los pasos descritos en "Alineación de la correa".
- Asegúrese de que la correa viaje centrada sobre el tambor de impulsión y el tambor libre.

AJUSTE DE LA POSICION DE LA MESA DEL DISCO

Refiérase a la Figura 11.

- La mesa del disco (Ref. No. 69) se puede ajustar desde 0° hasta 45° hacia afuera y desde 0° hasta 20° hacia adentro.
- Para ajustar la posición de la mesa del disco, afloje los dos mangos (Ref. No. 58) en cualquier lado de la mesa del disco.
- Use la escala en los soportes giratorios de la mesa del disco para ajustar la mesa al ángulo deseado.
- Apriete los dos mangos para fijar la posición de la mesa del disco.

ACABADO DE DISCO ABRASIVO

- El lijado del disco abrasivo se adapta bien cuando hay que acabar superficies planas pequeñas y los bordes convexos.
- Mueva la pieza de trabajo a través del lado de abajo (izquierda) del disco abrasivo.
- El disco abrasivo se mueve más rápido y remueve más material en el borde externo.
- Para obtener precisión, use la guía de ingletes.

CAMBIO DEL DISCO ABRASIVO

Refiérase a las Figuras 11 y 12.

- Afloje y remueva cuatro pernos (Figura 11, Ref. No. 24) en la placa de cubierta del disco (Figura 11, Ref. No. 68).
- Afloje dos pernos superiores (Figura 12, Ref. No. 25) en la puerta de recolección de polvo (Figura 12, Ref. No. 32).
- Remueva la placa de cubierta del disco.
- Pele y remueva el disco abrasivo viejo del disco de aluminio. No es necesario remover el disco de aluminio.
- Si es necesario, limpie el disco de aluminio. Seleccione el disco abrasivo apropiado y móntelo en el disco de aluminio.
- Hay discos abrasivos adicionales disponibles.
- Reinstale la placa de cubierta del disco.
- Apriete los pernos en la puerta de recolección de polvo.
- Reinstale los pernos del paso 1 para fijar la placa de cubierta del disco.

MANTENIMIENTO

ADVERTENCIA: Asegúrese que la unidad esté desconectada de la fuente de energía antes de intentar hacerle el servicio o de remover cualquier componente.

CAMBIO DE LA CORREA V

Refiérase a las Figuras 11 y 12.

- Apague la lijadora y desconéctela de la fuente de energía.
- Afloje y remueva dos mangos (Figura 11, Ref. No. 58) en cualquiera de los lados de la mesa del disco (Figura 11, Ref. No. 69).
- Deslice hacia afuera la mesa del disco y sepárela de la protección del disco (Figura 11, Ref. No. 61).
- Afloje el tornillo sin cabeza (Figura 11, Ref. No. 65) que fija el disco de aluminio (Figura 11, Ref. No. 66). Use el orificio en la parte superior de la protección del disco para ubicar y aflojar el tornillo sin cabeza. No remueva el tornillo sin cabeza.
- Afloje y remueva cuatro pernos (Figura 11, Ref. No. 24) en la placa de cubierta del disco (Figura 11, Ref. No. 68).
- Afloje y remueva cuatro pernos (Figura 12, Ref. No. 25) en la puerta de recolección de polvo (Figura 12, Ref. No. 32).
- Remueva la placa de cubierta del disco y la puerta de recolección de polvo.
- Deslice el disco de aluminio hacia afuera y remuévalo.
- Abra la puerta del gabinete (Figura 12, Ref. No. 53).
- Gire la manilla (Figura 12, Ref. No. 52) en el soporte (Figura 12, Ref. No. 51) para destensar la correa V (Figura 11, Ref. No. 64).
- Cambie la correa V. Use la lista de partes para pedir la correa V correcta.
- Apriete la manilla en el soporte para tensar la correa V.
- No tense la correa V más de lo necesario. Una tensión excesiva en la correa V disminuirá la vida de la correa así como la función de la herramienta. Una correa está tensada correctamente cuando al aplicar una presión ligera en el punto medio de la correa, se produce una desviación de $\frac{1}{2}$ " aproximadamente.
- Cierre la puerta del gabinete y fijela con la manilla.
- Monte el disco de aluminio y apriete el tornillo sin cabeza para fijarlo.
- Monte la puerta de recolección de polvo y la placa de cubierta del disco y fijelas con los pernos de los pasos 5 y 6.
- Monte la mesa del disco en la protección del disco y fijela con los dos mangos del paso 2.

LIMPIEZA

- Mantenga la máquina y el taller limpios. No permita que el aserrín se acumule en la herramienta.
- Mantenga los tambores limpios. La mugre en los tambores producirá un mal alineamiento y el patinaje de la correa.
- Opere la herramienta con el colector de polvo para evitar que se acumule el polvo.

ADVERTENCIA: Después de lijar madera o material no metálico, siempre limpie el aserrín del colector y de las protecciones antes de esmerilar el metal. Las chispas pueden encender los desperdicios y producir un incendio.

- Asegúrese de mantener el motor limpio y de pasarle la aspiradora frecuentemente para sacar el polvo.
- Use agua y jabón para limpiar las partes pintadas, las partes de goma y las protecciones de plástico.

LUBRICACION

- Los rodamientos de bola protegidos que tiene esta herramienta han sido lubricados permanentemente en la fábrica. No necesitan lubricación adicional.
- Si se aplica una ligera capa de cera a la mesa de la correa y a la mesa del disco cuando la operación parece muy dura, se facilitará la alimentación del trabajo durante la operación de acabado.
- No aplique la cera a la platina de la correa. La correa puede recoger la cera y depositarla sobre las ruedas, haciéndola que se resbale.

MANTENGA LA LIJADORA EN BUEN ESTADO

- Si el cordón eléctrico está desgastado, cortado o dañado, cámbielo inmediatamente.
- Cambie los abrasivos desgastados cuando sea necesario.
- Cambie cualquier parte dañada o que falte. Use la lista de partes cuando las ordene.
- Si se trata de reparar el motor se pueden crear peligros a menos que la reparación la haga un técnico de servicio calificado.

IDENTIFICACION DE PROBLEMAS

SINTOMA	CAUSAS POSIBLES	MEDIDA CORRECTIVA
El motor no arranca	<ol style="list-style-type: none"> 1. Voltaje bajo 2. Hay un circuito abierto en el motor o hay conexiones sueltas 	<ol style="list-style-type: none"> 1. Revise la energía para ver si tiene el voltaje apropiado 2. Inspeccione todas las conexiones de entrada en el motor para verificar si hay alguna suelta o abierta
El motor no arranca; los fusibles están quemados o los interruptores de circuito se han disparado	<ol style="list-style-type: none"> 1. Hay un cortocircuito en cordón o el enchufe 2. Hay un cortocircuito en el motor o hay conexiones sueltas 3. Hay fusibles o interruptores automáticos incorrectos en la línea eléctrica 	<ol style="list-style-type: none"> 1. Inspeccione el cordón de la línea o el enchufe para ver si hay aislamientos dañados y cables en cortocircuito 2. Inspeccione todas las conexiones de entrada en el motor para verificar si hay terminales sueltos o con cortocircuito o si los aisladores en los cables están desgastados 3. Instale los fusibles o interruptores automáticos correctos
El motor no llega a potencia completa (la salida de potencia del motor disminuye rápidamente cuando disminuye el voltaje en los terminales del motor)	<ol style="list-style-type: none"> 1. La línea de energía está sobrecargada con artefactos, luces y con otros motores 2. Los cables son de un tamaño demasiado pequeño o los circuitos son muy largos 3. Sobrecarga de energía general de los servicios de la compañía 4. Tensión incorrecta de la correa V 	<ol style="list-style-type: none"> 1. Reduzca la carga en la línea eléctrica 2. Aumente los tamaños de los cables o reduzca la longitud del cableado 3. Solicite a la compañía de electricidad que haga una revisión del voltaje 4. Cambie la correa V
El motor se calienta demasiado	<ol style="list-style-type: none"> 1. El motor tiene una carga excesiva 2. Correa V sobretensada 	<ol style="list-style-type: none"> 1. Reduzca la carga del motor 2. Cambie la correa V
El motor se para (los fusibles se queman o se disparan los interruptores de circuito)	<ol style="list-style-type: none"> 1. Cortocircuito en el motor o hay conexiones sueltas 2. Voltaje bajo 3. Hay fusibles o interruptores de circuito incorrectos en la línea de energía 4. El motor tiene carga excesiva 	<ol style="list-style-type: none"> 1. Inspeccione las conexiones del motor para verificar si hay terminales sueltos o con cortocircuito o si el aislamiento de los cables de entrada está desgastado 2. Corrija las condiciones de voltaje bajo en la línea 3. Instale los fusibles o los interruptores de circuito correctos 4. Reduzca la carga del motor
La máquina empieza a andar más lento cuando se opera	Se está aplicando demasiada presión en la pieza de trabajo	Alivie la presión
La correa abrasiva se sale de la rueda superior	El alineamiento no está correcto	Vea la sección de instrucciones de operación "Alineación de la Correa"

GARANTIA

Palmgren garantiza que sus productos están libres de defectos en material y mano de obra. Esta garantía no cubre los defectos causados directa o indirectamente por mal uso, abuso, desgaste y deterioro normales, falta de mantenimiento correcto del producto, calentamiento, amolamiento o alteración del producto en forma alguna, o por uso para un propósito diferente que para el cual fue diseñado. Esta garantía no cubre las piezas desechables ni piezas sujetas a desgaste (por ejemplo, correas V, tornillos recubiertos, abrasivos), los daños causados a las herramientas por alteración, abuso u otro uso que no sea aquel para el cual fueron diseñadas, embalaje y transportación. La duración de esta garantía está expresamente limitada a un año para piezas y mano de obra, a menos que se indique algo distinto más abajo, a partir de la fecha de entrega al usuario original. Los productos Palmgren tienen las siguientes garantías para piezas, con una garantía de 1 año para la mano de obra:

- USA Machine vises – Lifetime
- Mordazas para máquinas USA – Toda la vida útil del producto
- Mordazas para máquinas IQ – Toda la vida útil del producto
- Tornillos de banco de mordazas – Toda la vida útil del producto
- Mesas de posicionamiento – Toda la vida útil del producto
- Esmeriladoras y pulidoras de banco – 3 años
- Máquinas de roscado – 2 años
- Máquinas taladradoras – 2 años
- Máquinas de acabado – 2 años
- Sierras de banda – 2 años
- Plataformas de soporte – 2 años
- Prensas de husillo – 2 años
- Equipos de formado metálico – 2 años
- Accesorios – 1 año

La obligación de Palmgren está limitada únicamente a la reparación o el reemplazo, a nuestra discreción, en su fábrica o a través de un agente de reparación autorizado de cualquier pieza que se compruebe ser deficiente. El comprador debe lubricar y mantener el producto bajo condiciones de funcionamiento normal en todo momento. Antes de usar el producto, familiarícese con el mismo y los materiales incluidos, por ejemplo, las advertencias, las precauciones y los manuales. **El incumplimiento con estas instrucciones invalidará la garantía.**

Esta garantía es el remedio exclusivo del comprador contra Palmgren por cualquier deficiencia en sus productos. Bajo ninguna circunstancia Palmgren será responsable por daños indirectos, incidentales, especiales o consecuentes, incluyendo la pérdida de ganancias relacionada en forma alguna con el uso de o la incapacidad para usar nuestros productos. Esta garantía le otorga a usted derechos legales específicos que podrían variar de un estado a otro.

SERVICIO Y REPARACION

1. Si un producto Palmgren necesita servicio de reparación o un servicio cubierto por la garantía, **NO** devuelva el producto al lugar donde lo adquirió.
2. Todo trabajo relacionado con la garantía debe ser evaluado y aprobado por Palmgren.
3. El usuario debe obtener la aprobación de la fábrica y un número RGA válido antes de enviar cualquier artículo.
4. Para obtener instrucciones y el número RGA, comuníquese con su distribuidor local.

